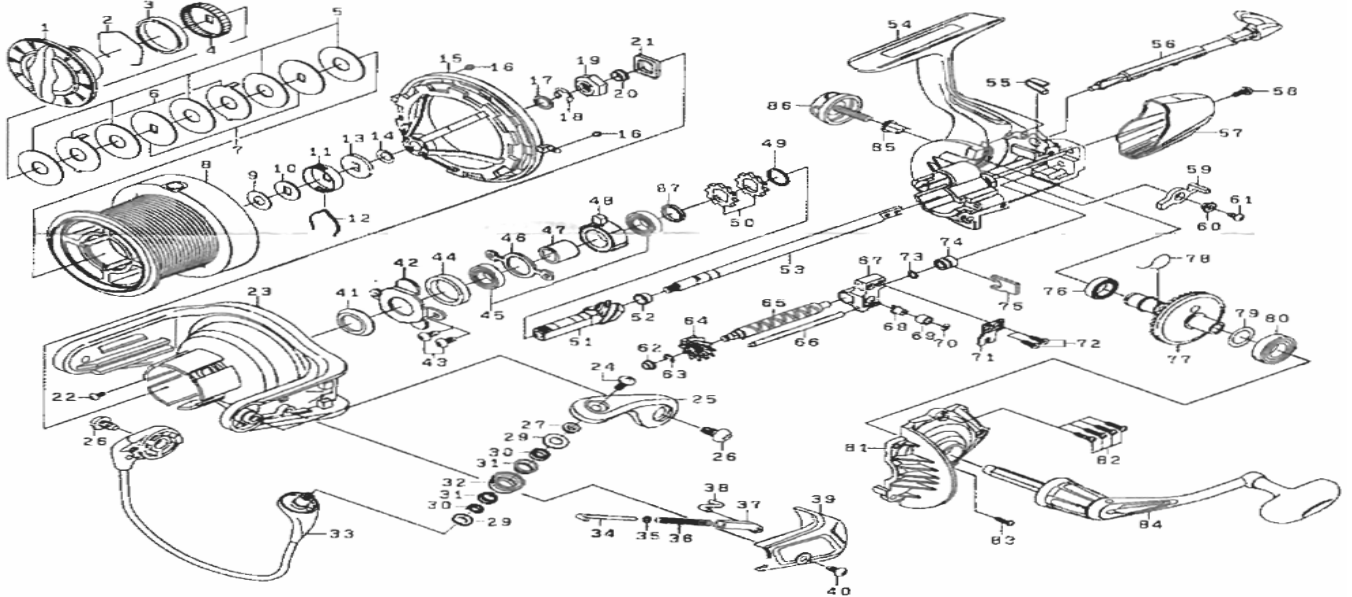


Please order by parts number, not key number  
 Veuillez indiquer le numéro de la pièce (Non "Key" No.)



SPINNING REEL

# WINDCAST Z5000/Z5500



Key No.	Parts No.	Parts Name
1	H43-4401	Drag Knob
2	F88-4001	Drag Washer Retainer
3	G51-2601	Collar (A)
4	G42-1401	Drag Ratchet
5	F75-5503	Drag washer
6	F75-5701	Eared Washer
7	F88-1702	Key Washer
2-8	H43-4601	Spool Assembly
9	E39-9200	Washer (A)
10	F04-3402	Washer (B)
11	F20-4001	Cap
12	F70-4902	Spool Click Leaf Spring
13	E26-7501	Washer (C)
14	G87-8201	Spring Washer
15	H35-7502	Line Guard
16	B85-3101	"O" Ring
17	G40-8301	Washer (D)
18	320-1611	Retainer
19	H05-0001	Rotor Nut
20	H35-7401	Collar (B)
21	G39-2201	Plate
22	G17-1402	Screw (A)
23	H35-6604	Rotor
24	E45-4007	Screw (B)
25	H35-6904	Bail Arm
26	G45-5601	Screw (C)
27	G74-0701	Collar (C)
29	G74-0501	Packing (A)
30	G37-0905	Ball Bearing (A)
31	G74-0601	Collar (E)
32	G74-0402	Line Roller
33	H39-5701	Bail Assembly
34	H10-5602	Bail Spring Shaft
35	E31-3901	Washer (E)
36	H10-5801	Bail Spring
37	H35-6801	Bail Spring Holder
38	H35-6701	Shaft
39	H35-7002	Cover
40	G20-5101	screw (D)
41	H44-6101	Packing (B)
42	H35-5501	Bearing Retainer
43	L00-1801	Screw (E)
44	H35-5401	Collar (F)
45	B54-6002	Ball Bearing (B)
46	H35-5301	Clutch Cam Retainer
47	H35-5201	Spacing Sleeve

Key No.	Parts No.	Parts Name
48	G84-5601	Roller Clutch
49	E33-9701	Washer (F)
50	G17-6702	Ratchet
51	H40-8901	Pinion Gear
52	G40-0401	Collar (G)
53	H35-5901	Main Shaft
54	H43-4001	Body
55	H10-2301	Anti-Reverse Cam Spring
56	H35-4504	Anti-Reverse Lever
57	H35-6502	Rear Cover
58	E36-4202	Screw (F)
59	H35-4301	Anti-Reverse Pawl
60	H35-4401	Collar (H)
61	B00-8601	Screw (G)
62	H35-4701	Collar (I)
63	320-5901	Worm Shaft Retainer (A)
64	H40-9001	Worm Shaft Gear
65	H35-9901	Worm Shaft
66	H35-4901	Stabilizer Bar
67	H35-5601	Oscillating Slider
68	H35-5701	Oscillating Pawl
69	H35-5801	Collar (J)
70	375-0800	Washer (G)
71	H35-6001	Oscillating Slider Cover
72	352-1505	Screw (H)
73	B41-1700	Washer (H)
74	H35-4801	Collar (K)
75	H35-5001	Worm Shaft Retainer (B)
76	G15-6803	Ball Bearing (C)
77	H40-8701	Drive Gear
78	H35-6201	Anti-Reverse Pawl Spring
79	B27-0700	Washer (I)
80	G47-2501	Ball Bearing (D)
81	H43-4101	Side Cover
82	G41-0701	Screw (I)
83	B00-8601	Screw (J)
84	H43-4901	Handle Assembly
85	F40-9001	Color (L)
86	H47-7502	Handle Screw
87	G05-9201	Washer (J)
2-8	H43-4601	Spool Assembly (Extra Spool)

**WINDCAST Z5500 Special Parts**

Key No.	Parts No.	Parts Name
2-8	H43-4801	Spool Assembly
2-8	H43-4801	Spool Assembly (Extra Spool)