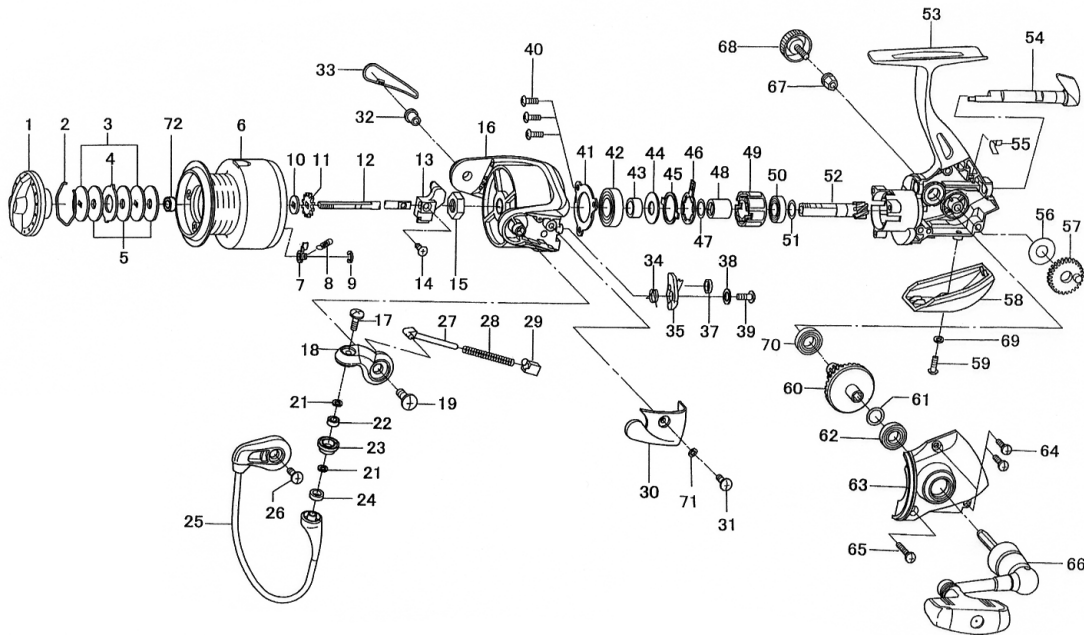


SPINNING REEL

TEAM DAIWA ADVANTAGE 2500/3000



Key No.	Parts No.	Parts Name
1	6G447101	Drag knob
2	6F373301	Drag washer retainer
3	6E467201	Key washer
4	63733603	Eared washer
5	6E136001	Drag washer
2-9	6G452101	Spool assembly
7	6B075304	Click pawl
8	6G366501	Click spring
9	63205901	Click retainer
10	6E467101	Washer (A)
11	6F811501	Click gear
12	6G291501	Main shaft
13	6G016501	Oscillating slider
14	63510315	Screw (A)
15	6F336102	Rotor nut
16	6G194014	Rotor
17	6G195601	Screw (B)
18	6G194506	Bail arm
19	6G224901	Screw (C)
21	6F897101	Washer (B)
22	6G281601	Ball bearing (A)
23	6F921601	Line roller
24	6G047601	Collar (A)
25	6G514601	Bail assembly
26	63516101	Screw (D)
27	6G017504	Bail spring shaft
28	6G017701	Bail spring
29	6G017401	Bail spring holder
30	6G194606	Cover (A)
31	6G205102	Screw (E)
32	6G195102	Bail holder nut
33	6G450201	Cover (B)
34	6G194101	Bail trip lever spring
35	6G265401	Bail trip lever
37	6G194301	Brake shoe
38	63753008	Washer (C)
39	6G193701	Screw (F)
40	6G332701	Screw (G)
41	6G193601	Bearing retainer
42	6G472501	Ball bearing (B)
43	6G193501	Collar (B)
44	6B275403	Washer (D)
45	6F622301	Clutch cam retainer
46	6F622201	Clutch cam
47	63758502	Washer (E)
48	6F732501	Spacing sleeve
49	6G220601	Roller clutch
50	6G279601	Ball bearing (C)
51	63758504	Washer (F)
52	6G291201	Pinion gear
53	6G446601	Body
54	6G193113	Anti-reverse lever
55	6G193301	Anti-reverse cam spring
56	6F767700	Washer (G)
57	6F677401	Oscillating gear
58	6G193905	Rear cover
59	6G400102	Screw (H)
60	6G016601	Drive gear
61	63758500	Washer (H)
62	66375702	Ball bearing (D)
63	6G193809	Side cover
64	6G332903	Screw (I)
65	6G333003	Screw (J)
66	6G446701	Handle assembly
67	6F721001	Collar (C)
68	6F676510	Screw (K)
69	6G256401	Washer (I)
70	6F016401	Ball bearing (E)
71	6G256401	Washer (J)
72	6G334001	Ball bearing (F)

TEAM DAIWA ADVANTAGE 3000 SPECIAL PARTS		
Key No.	Parts No.	Parts Name
2-9	6G549701	Spool assembly