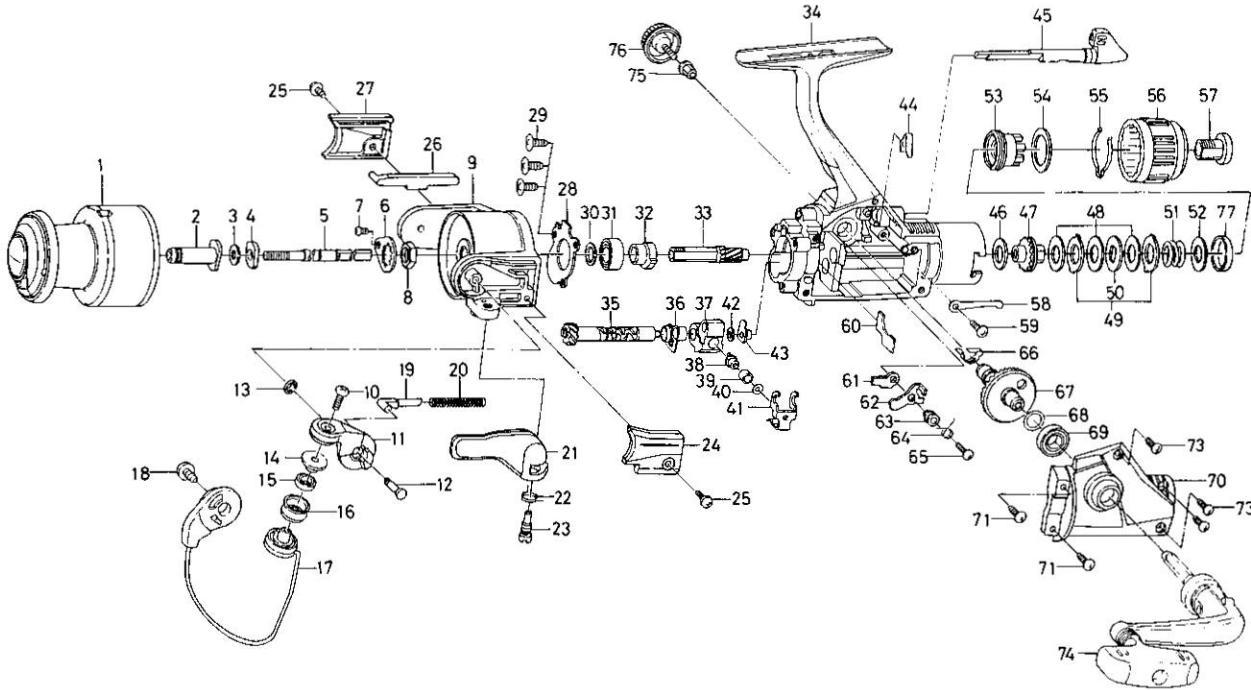


SPINNING REEL — TD1655H



Key

No.	Part No.	Part Name
1	F10-3802	Spool assembly
2	E48-4001	Spool metal
3	375-3002	Spool washer
4	E18-8801	Main shaft washer
5	E48-3001	Main shaft
6	B66-2601	Rotor nut holding plate
7	B93-3001	Rotor nut holding plate screw
8	B10-5701	Rotor nut
9	F11-0401	Rotor
10	B67-9305	Line roller screw
11	F06-3901	Bail arm
12	E36-9601	Bail arm screw
13	320-5901	Bail arm screw retainer
14	F06-6301	Line roller collar
15	F05-5601	Ball bearing A
16	F05-8901	Line roller
17	F10-8701	Bail assembly
18	E00-7102	Bail trip cam screw
19	E36-4401	Bail spring shaft
20	E51-4401	Bail spring
21	F06-4001	Trigger lever
22	E36-9901	Trigger spring
23	E37-0001	Trigger screw
24	F01-1702	Bail spring cover
25	E36-4201	Bail spring cover screw
26	F01-1601	Bail trip lever
27	E37-8206	Bail trip cover
28	E48-2901	Bearing retainer
29	E03-7801	Bearing retainer screw
30	371-2827	Bearing washer
31	B54-6001	Ball bearing B
32	E40-1001	Anti-reverse ratchet
33	E49-1701	Pinion gear
34	F10-8501	Body assembly
35	F11-0301	Worm shaft
36	E48-2701	Worm shaft bush
37	F10-5101	Oscillating slider
38	E19-1202	Oscillating pawl

Key

No.	Part No.	Part Name
39	E19-1301	Oscillating pawl bush
40	375-0800	Oscillating pawl washer
41	F10-5201	Oscillating slider cover
42	B53-6100	Worm shaft washer
43	F05-6901	Worm shaft collar
44	E26-8701	Anti-reverse cam spring
45	F05-9904	Anti-reverse lever
46	B46-9505	Drag washer A
47	E48-3201	Click gear
48	E14-3301	Drag washer B
49	B83-9501	Eared washer
50	E02-4401	Key washer
51	B98-2901	Drag coil spring
52	B27-0703	Drag screw washer A
53	E48-3301	Drag screw
54	F12-0601	Drag screw washer B
55	F13-6701	Drag washer spring
56	F10-3701	Drag knob
57	F05-7801	Drag knob screw
58	E48-3101	Click leaf spring
59	E36-4202	Click leaf spring screw
60	E48-2801	Shield plate
61	B96-5301	Anti-reverse pawl plate
62	E27-7002	Anti-reverse pawl
63	B96-5501	Anti-reverse pawl collar
64	B96-5601	Anti-reverse pawl spring A
65	B00-9701	Anti-reverse pawl screw
66	E37-7201	Anti-reverse pawl spring B
67	E37-7101	Drive gear
68	373-7803	Drive gear washer
69	631-6901	Ball bearing C
70	F10-8601	Side cover
71	E15-8602	Side cover screw A
73	E15-8601	Side cover screw B
74	E38-7101	Handle assembly
75	E12-7501	Handle collar
76	F03-5602	Handle lock screw
77	F15-6501	Drag screw collar