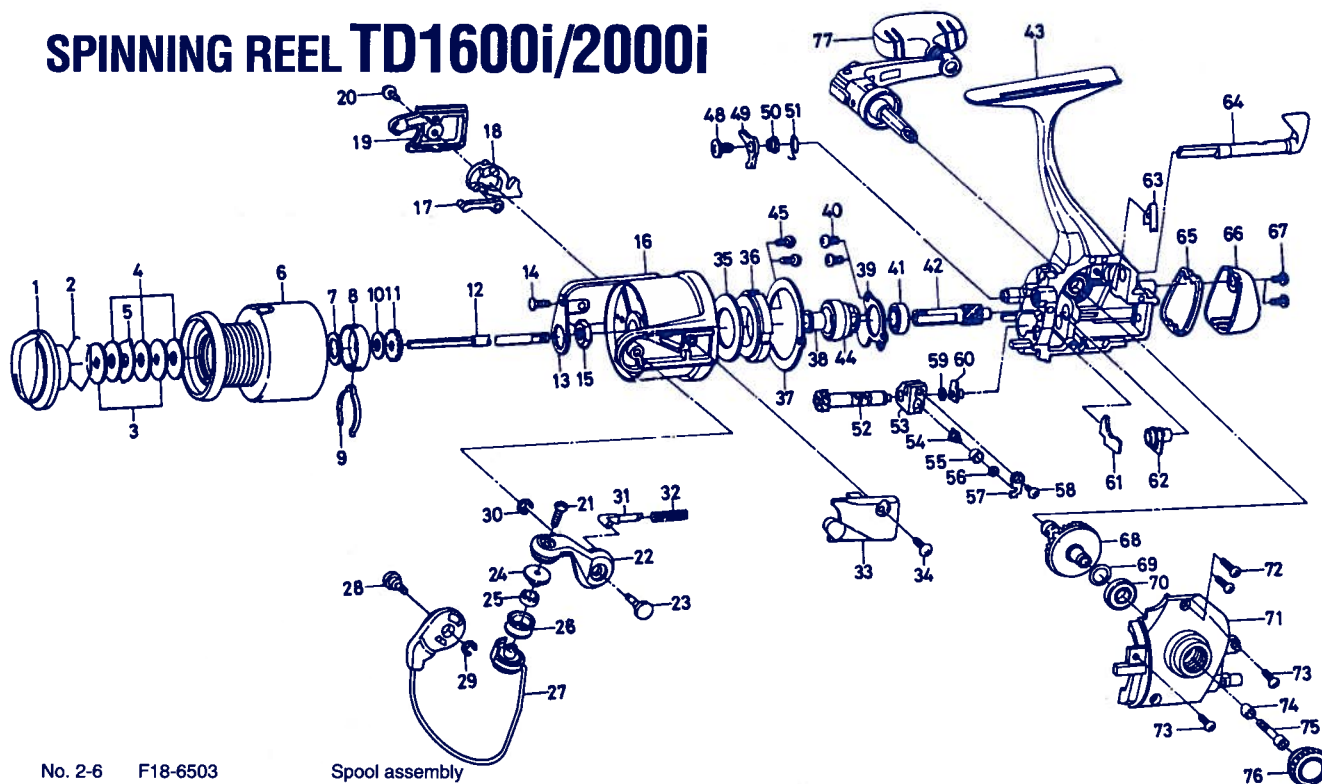


# SPINNING REEL TD1600i/2000i



No. 2-6 F18-6503

Spool assembly

**Key**

| Key NO. | Parts No. | Parts Name                    |
|---------|-----------|-------------------------------|
| 1       | F20-4602  | Drag knob                     |
| 2       | 170-4101  | Drag washer retainer          |
| 3       | E27-7801  | Key washer                    |
| 4       | B36-0204  | Drag washer                   |
| 5       | 372-3832  | Eared washer                  |
| 6       | F18-6603  | Spool assembly                |
| 7       | E39-7901  | Spool washer                  |
| 8       | E12-2302  | Click leaf spring holder      |
| 9       | B74-7702  | Spool click leaf spring       |
| 10      | 375-4202  | Main shaft washer             |
| 11      | E41-3101  | Click gear                    |
| 12      | F1B-5801  | Main shaft assembly           |
| 13      | F18-9601  | Rotor nut holding plate       |
| 14      | E24-8101  | Rotor nut holding plate screw |
| 15      | B10-5701  | Rotor nut                     |
| 16      | F22-8202  | Rotor                         |
| 17      | F08-0701  | Bail trip plate               |
| 18      | F01-4401  | Bail trip lever               |
| 19      | F18-2804  | Bail trip cover               |
| 20      | E36-4201  | Bail trip cover screw         |
| 21      | B67-9305  | Line roller screw             |
| 22      | F17-6505  | Bail arm                      |
| 23      | F15-2501  | Bail arm screw                |
| 24      | F06-6301  | Line roller collar            |
| 25      | F05-5601  | Ball bearing A                |
| 26      | F05-8901  | Line roller                   |
| 27      | F18-6101  | Bail assembly                 |
| 28      | F15-2501  | Bail trip cam screw           |
| 29      | 320-5901  | Bail trip cam screw retainer  |
| 30      | 320-5901  | Bail arm screw retainer       |
| 31      | F24-6801  | Bail spring shaft             |
| 32      | E39-0601  | Sail spring                   |
| 33      | F18-2504  | Bail spring cover             |
| 34      | E36-4201  | Bail spring cover screw       |
| 35      | F19-7301  | Oiled washer                  |
| 36      | F18-2901  | Roller clutch                 |
| 37      | F18-3001  | Roller clutch retainer        |
| 38      | F18-1301  | Spacing sleeve                |
| 39      | F18-1201  | Bearing retainer              |
| 40      | B83-4402  | Bearing retainer screw        |
| 41      | 635-4801  | Ball bearing B                |

**Key**

| Key NO. | Parts No. | Parts Name                     |
|---------|-----------|--------------------------------|
| 42      | F26-5101  | Pinion gear                    |
| 43      | F26-5001  | Body assembly                  |
| 44      | F18-1401  | Anti-reverse ratchet           |
| 45      | E15-7502  | Roller clutch screw            |
| 48      | L00-1801  | Anti-reverse pawl screw        |
| 49      | F18-1801  | Anti-reverse pawl              |
| 50      | F18-1701  | Anti-reverse pawl collar       |
| 51      | F18-1901  | Anti-reverse pawl spring       |
| 52      | F26-8101  | Worm shaft                     |
| 53      | E37-6301  | Oscillating slider             |
| 54      | E19-1202  | Oscillating pawl               |
| 55      | E19-1301  | Oscillating pawl bush          |
| 56      | 375-0800  | Oscillating pawl washer        |
| 57      | E37-6901  | Oscillating slider cover       |
| 58      | E40-1501  | Oscillating slider cover screw |
| 59      | B53-6100  | Worm shaft washer              |
| 60      | F05-6901  | Worm shaft collar              |
| 61      | E48-2801  | Shield plate                   |
| 62      | E48-2701  | Pinion collar                  |
| 63      | E26-8701  | Anti-reverse cam spring        |
| 64      | F18-1003  | Anti-reverse lever             |
| 65      | F18-3403  | Water shield                   |
| 66      | F18-3503  | Rear cover                     |
| 67      | E24-8102  | Rear cover screw               |
| 68      | E41-8602  | Drive gear                     |
| 69      | 373-7800  | Drive gear washer              |
| 70      | E15-4001  | Ball bearing C                 |
| 71      | F18-2303  | Side cover                     |
| 72      | E15-8601  | Side cover screw A             |
| 73      | E15-7502  | Side cover screw B             |
| 74      | F30-3701  | Handle collar                  |
| 75      | F30-3701  | Handle screw                   |
| 76      | F18-3902  | Handle screw cap               |
| 77      | F26-5701  | Handle assembly                |

**TD2000I SPECIAL PARTS**

|     |          |                |
|-----|----------|----------------|
| 2-6 | F18-6803 | Spool assembly |
| 6   | F18-6903 | Spool assembly |
| 16  | F22-8302 | Rotor          |
| 27  | F18-6201 | Bail assembly  |