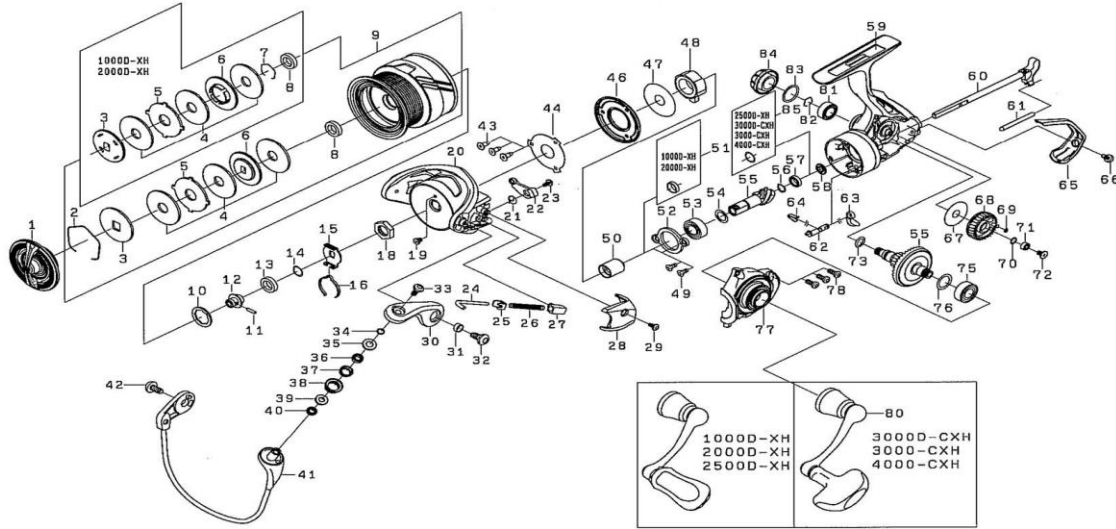




SPINNING REEL

TALT1000-2500D-XH/3000-4000-CXH/3000D-CXH

Please order by parts number, not key number
 Veuillez indiquer le numéro de la pièce (Non "Key" No.)



Key No.	Part Name	TALT1000D-XH Part No.	TALT2000D-XH Part No.	TALT2500D-XH Part No.	TALT3000-CXH Part No.	TALT3000D-CXH Part No.	TALT4000-CXH Part No.
1	DRAG KNOB	J56-0502	J56-0502	J54-7202	J54-7202	J54-7202	J56-8702
2	DRAG RETAINER	J54-7101	J54-7101	J54-7101	J54-7101	J54-7101	J54-7101
3	DRAG DISC WASHER	J56-3801	J56-3801	J54-7001	J54-7001	J54-7001	J54-7001
4	ATD DRAG WASHER (3PCS)	J67-8801	J67-8801	J67-8801	J67-8801	J67-8801	J67-8801
5	DRAG KEY WASHER	J54-6901	J54-6901	J54-6902	J54-6902	J54-6902	J54-6902
6	DRAG DISC WASHER (A)	J56-3701	J56-3701	J54-9001	J54-9001	J54-9001	J54-9001
7	DRAG COLLAR RETAINER	B35-8701	B35-8701	-	-	-	-
8	DRAG COLLAR	J54-6701	J54-6701	J54-6701	J54-6701	J54-6701	J54-6701
2-9	SPOOL ASSEMBLY	J66-8401	J66-8901	J66-9701	J67-0501	J67-0401	J67-1101
10	SPOOL WASHER	J54-6300	J54-6300	J54-6300	J54-6300	J54-6300	J54-6300
11	SPOOL METAL SCREW	J55-8201	J55-8201	J55-8201	J55-8201	J55-8201	J55-8201
12	SPOOL METAL	J56-4101	J56-4101	J54-9501	J54-9501	J54-9501	J54-9501
13	SPOOL METAL COLLAR	H62-4801	H62-4801	H62-4801	H62-4801	H62-4801	H62-4801
14	CLICK LEAF SPRING HOLDER WASHER	J60-2201	J60-2201	J60-2201	J60-2201	J60-2201	J60-2201
15	CLICK LEAF SPRING HOLDER	J54-6201	J54-6201	J54-6201	J54-6201	J54-6201	J54-6201
16	CLICK LEAF SPRING	J52-5101	J52-5101	J52-5101	J52-5101	J52-5101	J52-5101
18	ROTOR NUT	J00-1901	J00-1901	J00-1901	J00-1901	J00-1901	J00-1901
19	ROTOR NUT SCREW	H02-2701	H02-2701	H02-2701	H02-2701	H02-2701	H02-2701
20	ROTOR	H97-4324	H97-4324	J54-5301	H96-0046	H96-0046	J56-7501
21	BAIL KICK LEVER SPRING	H44-3301	H44-3301	H41-3601	H41-3601	H41-3601	H41-3601
22	BAIL KICK LEVER	H44-3401	H44-3401	J54-5401	J03-8501	J03-8501	J56-7601
23	KICK LEVER SCREW	H41-7701	H41-7701	H41-7701	H41-7701	H41-7701	H41-7701
24	BAIL ARM LEVER SHAFT	H44-3601	H44-3601	J54-5601	H41-4101	H41-4101	H57-2001
25	BAIL ARM LEVER SHAFT PLT	H57-6101	H57-6101	H57-6101	H57-6101	H57-6101	H57-6101
26	BAIL ARM LEVER SHAFT SPRING	H44-2401	H44-2401	J64-2801	H54-5701	H54-5701	J08-9301
27	BAIL ARM LEVER SHAFT HOLDER	H41-4301	H41-4301	H41-4301	H41-4301	H41-4301	J08-9401
28	BAIL SPRING COVER	H97-4402	H97-4402	J54-5702	H96-0203	H96-0203	J56-7802
29	BAIL SPRING COVER SCREW	H43-1301	H43-1301	H43-1301	H43-1301	H43-1301	H43-1301
30	BAIL ARM LEVER	H96-0107	H96-0107	H96-0107	H96-0107	H96-0107	H96-0107
31	BAIL ARM LEVER COLLAR	H96-2401	H96-2401	H96-2401	H96-2401	H96-2401	H96-2401
32	BAIL KICK LEVER SCREW	H43-1201	H43-1201	H43-1201	H43-1201	H43-1201	H43-1201
33	LINE ROLLER SCREW	H69-7701	H69-7701	H69-7701	H69-7701	H69-7701	H69-7701
34	LINE ROLLER COLLAR (A)	H96-1001	H96-1001	H96-1001	H96-1001	H96-1001	H96-1001
35	LINE ROLLER BEARING PACKING	H03-8301	H03-8301	H03-8301	H03-8301	H03-8301	H03-8301
36	LINE ROLLER BALL BEARING	G68-6903	G68-6903	G68-6903	G68-6903	G68-6903	G68-6903
37	LINE ROLLER BALL BEARING COLLAR	H96-0901	H96-0901	H96-0901	H96-0901	H96-0901	H96-0901
38	LINE ROLLER	G68-6702	G68-6702	G68-6702	G68-6702	G68-6702	G68-6702
39	LINE ROLLER COLLAR (B)	H96-0801	H96-0801	H96-0801	H96-0801	H96-0801	H96-0801
40	LINE ROLLER COLLAR (C*)	H96-0701	H96-0701	H96-0701	H96-0701	H96-0701	H96-0701
41	BAIL	J56-0101	J56-0101	J54-5801	J55-9101	J55-9101	J56-7901
42	BAIL HOLDER SCREW	H43-1201	H43-1201	H43-1201	H43-1201	H43-1201	H43-1201
43	SEALED PLATE SCREW	J42-9301	J42-9301	J42-9301	J42-9301	J42-9301	J42-9301
44	SEALED PLATE	J67-5301	J67-5301	J67-5301	J67-5301	J67-5301	J67-5301
46	SEALED CAP	J44-5901	J44-5901	J44-5901	J38-8501	J38-8501	J40-6701
47	ROLLER CLUTCH WASHER	J63-9900	J63-9900	J63-9900	J63-9900	J63-9900	J63-9900
48	ROLLER CLUTCH	J38-8401	J38-8401	J38-8401	J38-8401	J38-8401	J38-8401
49	PINION BEARING PLT SCREW	G99-7301	G99-7301	G99-7301	G99-7301	G99-7301	G99-7301
50	ROLLER CLUTCH SLEEVE	J53-6101	J53-6101	J00-1402	J00-1402	J00-1402	J00-1402
51	ROLLER CLUTCH SLEEVE COLLAR	J53-6201	J53-6201	-	-	-	-
52	PINION GEAR BB PLATE	H44-2202	H44-2202	H44-2201	H44-2201	H44-2201	H41-1501
53	BALL BEARING (A)	G46-7302	G46-7302	G46-7302	G46-7302	G46-7302	G53-5104
54	PINION GEAR BB WASHER (A)	375-8502	375-8502	375-8502	375-8502	375-8502	375-8502
55	PINION + DRIVE GEAR UNIT	Z02-4031	Z02-4031	Z02-3673	Z02-3673	Z02-3673	Z02-3704
56	PINION GEAR BB SPRING WASHER	J68-3001	J68-3001	J68-3001	J68-3001	J68-3001	J68-3001
57	PINION GEAR BALL BEARING (B)	H95-9601	H95-9601	H95-9601	H95-9601	H95-9601	G46-6202
58	PINION GEAR COLLAR	J38-7701	J38-7701	J38-7701	J38-7701	J38-7701	J38-7701
59	BODY	J64-9501	J64-9501	J64-9501	J64-9701	J64-9701	J64-9801
60	MAIN SHAFT	J55-9701	J55-9701	J54-4803	J55-8901	J55-8901	J56-6901
61	OSC POST	J52-6101	J52-6101	J08-4805	J08-4805	J08-4805	J08-4804
62	A/R CAM	H59-5501	H59-5501	H59-5501	H59-5501	H59-5501	H59-5501
63	A/R CAM LEVER	H59-5401	H59-5401	H59-5401	H59-5401	H59-5401	H59-5401
64	A/R CAM SPRING	H69-7801	H69-7801	H69-7801	H69-7801	H69-7801	H69-7801
65	REAR COVER	J52-4902	J52-4902	J38-8902	J38-8902	J38-8902	J40-6802
66	REAR COVER SCREW	J38-9001	J38-9001	J38-9001	J38-9001	J38-9001	J38-9001
67	OSC GEAR WASHER	H60-7902	H60-7902	J64-4701	J64-4701	J64-4701	J64-4701
68	OSC GEAR	J53-5801	J53-5801	J54-4601	J55-8801	J55-8801	J56-6701
69	OSC GEAR O'RING	G68-3301	G68-3301	H77-0601	H77-0601	H77-0601	G46-6001
70	OSC GEAR BB WASHER	H12-9201	H12-9201	H12-9201	H12-9201	H12-9201	H12-9201
71	OSC GEAR BALL BEARING	G46-9005	G46-9005	G46-9005	G46-9005	G46-9005	G46-9005
72	OSC GEAR BB SCREW	G99-7001	G99-7001	G99-7001	G99-7001	G99-7001	G99-7001
73	DRIVE GEAR O'RING	G67-0501	G67-0501	G67-0501	G67-0501	G67-0501	G67-0501
75	DRIVE GEAR BALL BEARING (A)	G46-7302	G46-7302	G46-7302	G46-7302	G46-7302	G46-7302
76	DRIVE GEAR WASHER	375-8502	375-8502	375-8502	375-8502	375-8502	375-8502
77	BODY COVER	J58-2502	J58-2502	J58-4602	J58-4602	J58-4602	J58-6602
78	BODY COVER SCREW	J38-9801	J38-9801	J38-9801	J38-9801	J38-9801	J38-9801
80	HANDLE ASSEMBLY	J60-2901	J60-2901	J66-7001	J60-3701	J60-3701	J60-4501
81	DRIVE GEAR BALL BEARING (B)	G52-2703	G52-2703	G52-2703	G52-2703	G52-2703	G52-2703
82	DRIVE GEAR BB RETAINER	G47-2401	G47-2401	G47-2401	G47-2401	G47-2401	G47-2401
83	HANDLE CAP O'RING	G16-2401	G16-2401	G16-2401	G16-2401	G16-2401	G16-2401
84	HANDLE CAP	J38-9702	J38-9702	J38-9702	J38-9702	J38-9702	J38-9702
85	PINION COLLAR WASHER	J38-9702	J38-9702	G46-6103	G46-6103	G46-6103	G46-6103