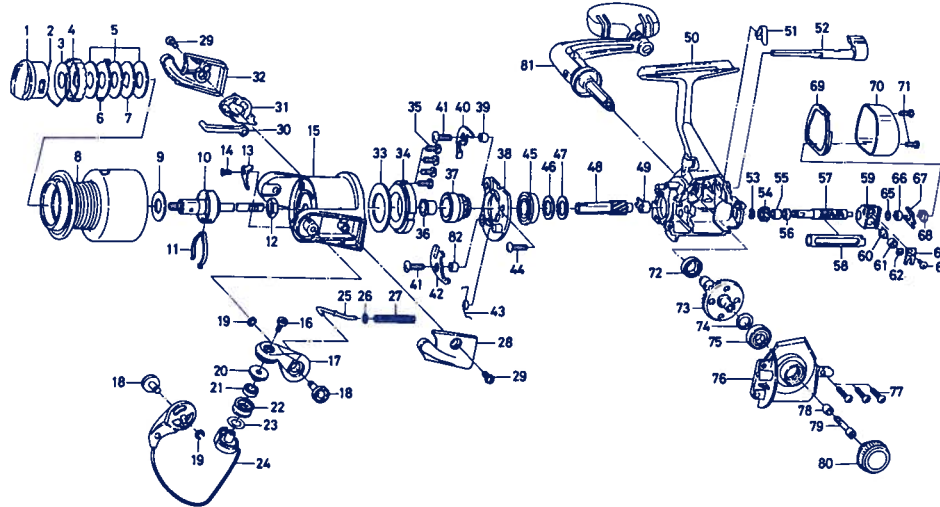


SPINNING REEL TOURNAMENT T-Z4000i



Key No.	Parts No.	Parts Name	Key No.	Parts No.	Parts Name
2-8	F35-7401	Spool assembly	42	F23-8901	Anti-reverse pawl
1	F23-9701	Drag knob	43	F22-7101	Anti-reverse pawl spring
2	F06-2601	Drag washer retainer	44	351-8501	Bearing retainer screw
3	F01-6001	Click plate washer	45	F24-0001	Ball bearing B
4	E12-2803	Drag knob click plate	46	371-2822	Spacer A
5	B36-0204	Drag washer	47	371-2821	Spacer B
6	E15-0101	Eared washer	48	F36-6901	Pinion gear
7	B65-2302	Key washer	49	B88-0001	Pinion collar
8	F35-7501	Spool assembly	50	F35-6601	Body assembly
9	F13-7501	Spool washer	51	E26-8701	Anti-reverse cam spring
10	F36-0401	Main shaft assembly	52	E45-0403	Anti-reverse lever
11	B74-7702	Spool click leaf spring	53	320-5901	Worm shaft gear retainer
12	B10-5702	Rotor nut	54	E44-8202	Worm shaft gear
13	F18-9601	Rotor nut holding plate	55	B45-1501	Worm shaft bush
14	E13-4501	Rotor nut holding plate screw	56	E33-2501	Ball bearing C
15	F35-6701	Rotor	57	F28-3401	Worm shaft
16	F14-2003	Line roller screw	58	F28-2602	Worm shield cover
17	F34-5801	Bail arm	59	E44-6702	Oscillating slider
18	F34-5901	Bail arm screw	60	F02-1202	Oscillating pawl
19	320-5901	Bail arm screw retainer	61	E19-1301	Oscillating pawl bush
20	F06-6302	Line roller collar	62	375-0801	Oscillating pawl washer
21	F05-5601	Ball bearing A	63	E12-5901	Oscillating slider cover
22	F06-3201	Line roller	64	351-8903	Oscillating slider cover screw
24	F35-7001	Bail assembly	65	375-4101	Worm shaft washer
25	E12-4701	Bail spring shaft	66	F28-2201	Ball bearing D
26	E31-3901	Bail spring washer	67	F28-2301	Worm shaft retainer
27	E43-5401	Rail spring	68	F28-2403	Worm shaft collar
28	F35-6901	Bail spring cover	69	E45-0702	Water shield
29	F01-3701	Bail spring cover screw	70	E45-0804	Rear cover
30	F35-7201	Bail trip plate	71	F01-6302	Rear cover screw
31	F34-6401	Sail trip lever	72	B86-1701	Ball bearing E
32	F35-7301	Bail trip cover	73	E44-7004	Drive gear
33	F19-7302	Oiled washer	74	373-7808	Drive gear washer
34	F18-2901	Roller clutch	75	B62-8601	Ball bearing F
35	351-4701	Roller clutch screw	76	F08-5002	Side cover
36	F24-6001	Spacing sleeve	77	351-8501	Side cover screw
37	F23-9102	Anti-reverse ratchet	78	F18-3701	Handle collar
38	F23-8301	Bearing retainer	79	F38-7101	Handle screw
39	F22-6801	Anti-reverse pawl collar A	80	F24-6201	Handle screw cap
40	F23-8801	Anti-reverse pawl plate	81	F39-0802	Handle assembly
41	E45-4001	Anti-reverse pawl screw	82	F23-8701	Anti-reverse pawl collar B