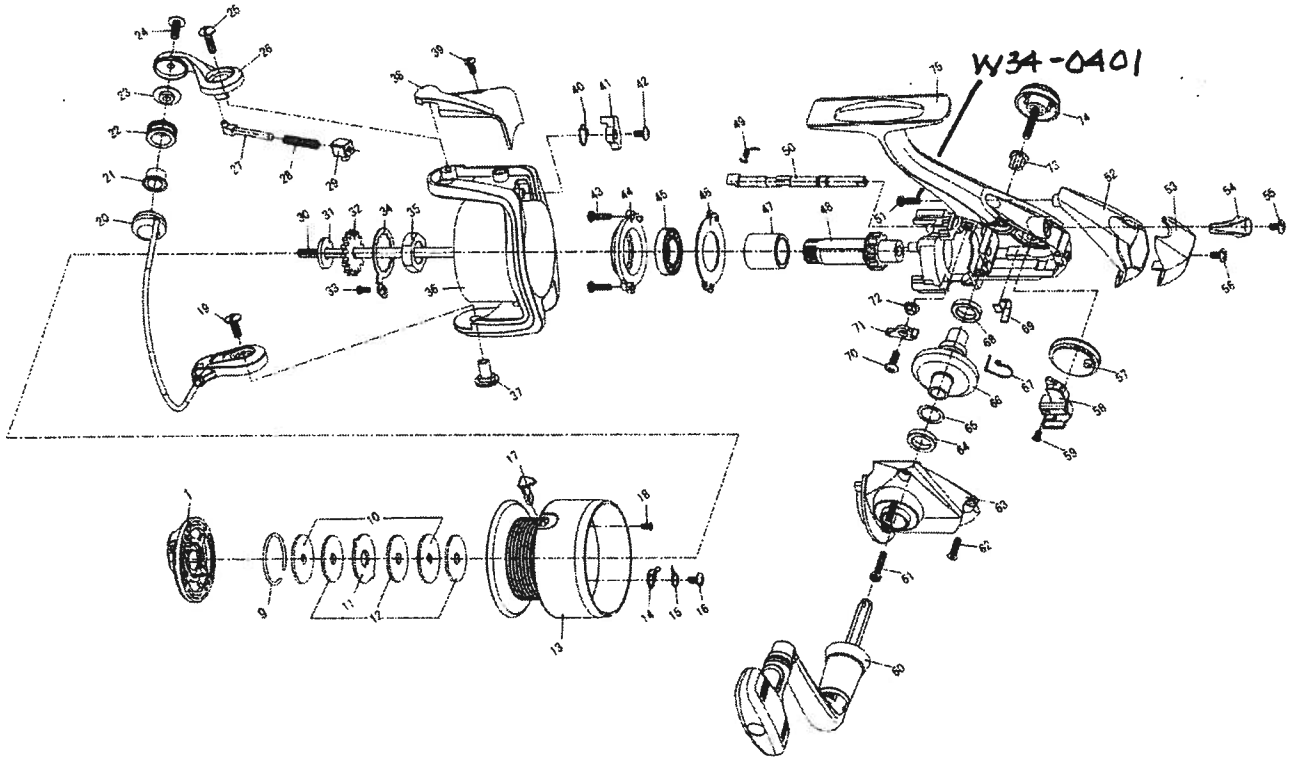


# SWEEPFIRE 1500 / 2500



Key No.	Parts No.	Parts Name
1	W33-5805	DRAG KNOB ASSY
9	W33-5901	DRAG WASHER RET
10	W33-6001	KEY WASHER
11	W33-6101	EARED WASHER
12	W33-6201	DRAG WASHER
14	W30-1901	CLICK PAWL
15	W30-2101	CLICK SPRING
16	W33-7201	CLICK PAWL SCREW
17	W33-7301	LINE HOLDER
18	W33-7401	LINE HOLDER SCREW
9-18	W33-7504	SPOOL
19	W33-9001	BAIL HOLDER SCREW
20	W33-7910	BAIL
21	W34-5201	LINE ROLLER BUSHING
22	W33-8103	LINE ROLLER
23	W33-8201	LINE ROLLER COLLAR
24	W33-8301	LINE ROLLER SCREW
25	W33-8401	BAIL ARM SCREW
26	W33-8504	BAIL ARM
27	W33-8701	BAIL SPRING SHAFT
28	W33-8801	BAIL SPRING
29	W33-8901	BAIL SPRING HOLDER
30	W33-9201	MAIN SHAFT
31	W33-9301	MAIN SHAFT WASHER
32	W33-9401	CLICK GEAR
33	W33-9101	ROTOR NUT HOLD PLT SCREW
34	W33-9501	ROTOR NUT HOLD PLT
35	W33-9601	ROTOR NUT
36	W34-0110	ROTOR
37	W34-0201	BAIL HOLDER NUT
38	W34-0307	BAIL SPRING COVER
39	W34-0401	BAIL SPRING COVER SCREW
40	W34-0501	BAIL TRIP LEVER SPRING
41	W34-0601	BAIL TRIP LEVER
42	W34-0701	BAIL TRIP LEVER SCREW
43	W34-0801	BEARING RET SCREW
44	W34-0901	BEARING RET A
45	W34-1001	BALL BEARING
46	W34-1101	BEARING RET B
47	W34-5601	SPACING SLEEVE
48	W34-1803	PINION GEAR
50	W34-2001	A/R CAM

Key No.	Parts No.	Parts Name
51	W34-2101	A/R CAM SCREW
52	W34-2204	REAR COVER A
53	W34-2307	REAR COVER B
54	W34-2403	A/R LEVER
55	W34-2501	A/R LEVER SCREW
56	W34-2601	REAR COVER SCREW
57	W34-2701	OSC GEAR
58	W34-2801	OSC SLIDER
59	W34-2901	OSC SLIDER SCREW
60	W34-3007	HANDLE
61	W34-3101	SIDE COVER SCREW A
62	W34-3201	SIDE COVER SCREW B
63	W34-3304	SIDE COVER
64	W34-5501	SIDE COVER BUSHING
65	W34-3701	DRIVE GEAR WASHER
66	W34-3801	DRIVE GEAR
67	W34-3901	A/R PAWL SPRING
68	W34-5301	DRIVE GEAR BUSHING
69	W34-4001	A/R CAM SPRING
70	W34-4301	A/R PAWL SCREW
71	W34-4201	A/R PAWL
72	W34-4101	A/R PAWL COLLAR
73	W34-4701	HANDLE COLLAR
74	W34-4805	HANDLE SCREW
75	W34-4904	BODY

**SPECIAL PART FOR SW2500**

Key No.	Parts No.	Parts Name
9-18	W33-7604	SPOOL
20	W33-7911	BAIL
30	W33-9202	MAIN SHAFT
36	W34-0111	ROTOR
38	W34-0308	BAIL SPRING COVER
42	W34-0702	BAIL TRIP LEVER SCREW
50	W34-2002	A/R CAM
52	W34-2205	REAR COVER A
53	W34-2308	REAR COVER B
57	W34-2702	OSC GEAR
58	W34-2802	OSC SLIDER
60	W34-3012	HANDLE
63	W34-3404	SIDE COVER
75	W34-5004	BODY