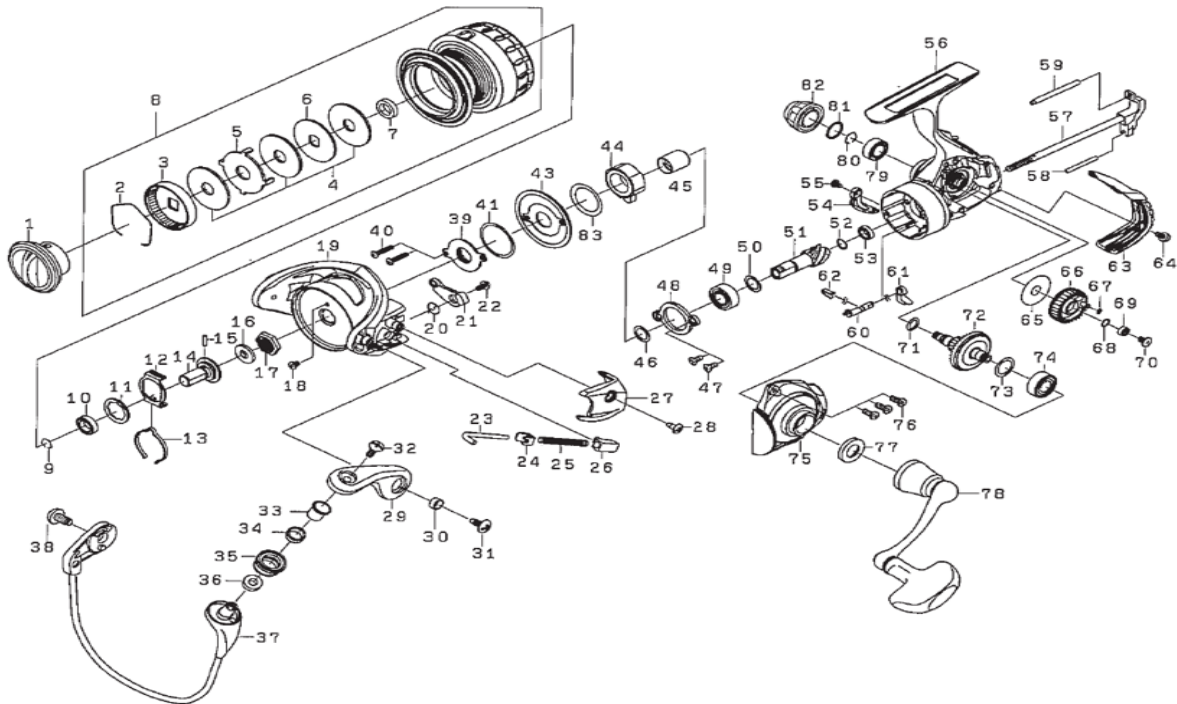




# SPINNING REEL

# STTB3000LT

\*Please order by parts number, not key number.



Key No	Part No	Description
1	J29-0601	DRAG KNOB
2	F71-0001	DRAG RING
3	F89-5301	DRAG RATCHET
4	J56-1801	ATD DRAG WASHER ASS( 3pcs pack)
5	F63-5201	DRAG LIP WASHER
6	F63-5101	DRAG DISC WASHER
7	H62-4801	DRAG COLLAR
8	J63-2102	SPOOL ASSEMBLY(2-8)
9	G47-2401	SPOOL METAL RING
10	E30-6801	SPOOL METAL BALL BEARING
11	H80-6301	SPOOL WASHER
12	H41-6001	CLICK HOLDER
13	H88-3701	CLICK LEAF SPRING
14	H71-7701	SPOOL METAL
15	G37-5001	SPOOL METAL PIN
16	H98-6901	ROTOR NUT PACKING
17	H96-1101	ROTOR NUT
18	H02-2701	ROTOR NUT SCREW
19	H96-0038	ROTOR
20	H41-3601	KICK LEVER SPRING
21	J03-8501	KICK LEVER ASS
22	H41-7701	KICK LEVER SCREW
23	H41-4101	ARM LEVER SHAFT
24	H57-6101	ARM LEVER SHAFT PLATE
25	H54-5701	ARM LEVER SPRING
26	H41-4301	ARM LEVER SPRING HOLDER
27	H96-0201	ARM LEVER SPRING COVER
28	G27-0801	ARM LEVER SPRING COVER SCREW
29	H72-8912	ARM LEVER
30	H96-2401	ARM LEVER SCREW COLLAR
31	G20-5001	ARM LEVER SCREW
32	G19-5602	ROLLAR SCREW
33	G19-5501	ROLLAR COLLAR(A)
34	G22-0701	ROLLAR COLLAR(B)
35	J08-9902	LINE ROLLAR
36	G87-4201	ROLLAR COLLAR(C)
37	H98-2801	BAIL ASSEMBLY
38	G20-5001	ARM LEVER SCREW
39	J35-4401	MAGSEALED
40	J00-1601	MAGSEALED SCREW
41	J35-4801	MAGSEALED ORING

Key No	Part No	Description
43	J56-0901	MAGSEALED CAP
44	J38-8401	ONEWAY CLUTCH
45	J00-1402	CLUTCH RING
46	375-8502	PINION BALL BEARING WASHER(A)
47	J00-0901	PINION BALL BEARIN PLATE SCREW
48	H41-1501	PINION BALL BEARING PLATE
49	G53-5104	PINION BALL BEARING(A)
50	375-8502	PINION BALL BEARING WASHER(B)
51+72	Z02-3105	PINION + DRIVE GEAR UNIT
52	H93-1701	PINION BALL BEARING WASHER(C)
53	G46-6202	PINION BALL BEARING(B)
54	J00-1101	BAIL KICK COLLAR
55	G94-0402	BAIL KICK COLLAR SCREW
56	J46-1902	BODY ASS
57	J23-8701	MAIN SHAFT
58	J08-4802	OSCILLATING POST(A)
59	H61-4301	OSCILLATING POST(B)
60	H59-5501	STOPPER CAM
61	H59-5401	STOPPER CAM LEVER
62	H69-7801	STOPPER CAM LEAF SPRING
63	J36-3701	REAR CAP
64	J00-1801	REAR CAP SCREW
65	H59-5701	OSCILLATING WASHER(A)
66	J13-6101	OSCILLATING GEAR
67	G46-6001	OSCILLATING GEAR ORING
68	H12-9201	OSCILLATING GEAR WASHER
69	G46-9005	OSCILLATING GEAR BALL BEARING
70	G94-0402	BAIL KICK COLLAR SCREW
71	G67-0501	DRIVE GEAR ORING
51+72	Z02-4106	PINION + DRIVE GEAR UNIT
73	375-8502	DRIVE BALL BEARING WASHER
74	G46-7302	DRIVE BALL BEARING(A)
75	J41-9302	BODY COVER
76	G33-2906	BODY COVER SCREW
77	J13-0201	HANDLE PACKING
78	J46-1501	HANDLE ASSEMBLY
79	G52-2706	DRIVE BALL BEARING(B)
80	G47-2401	BALL BEARING RETAINER
81	G16-2401	HANDLE CAP ORING
82	J41-8101	HANDLE CAP
83	H97-9201	WASHER