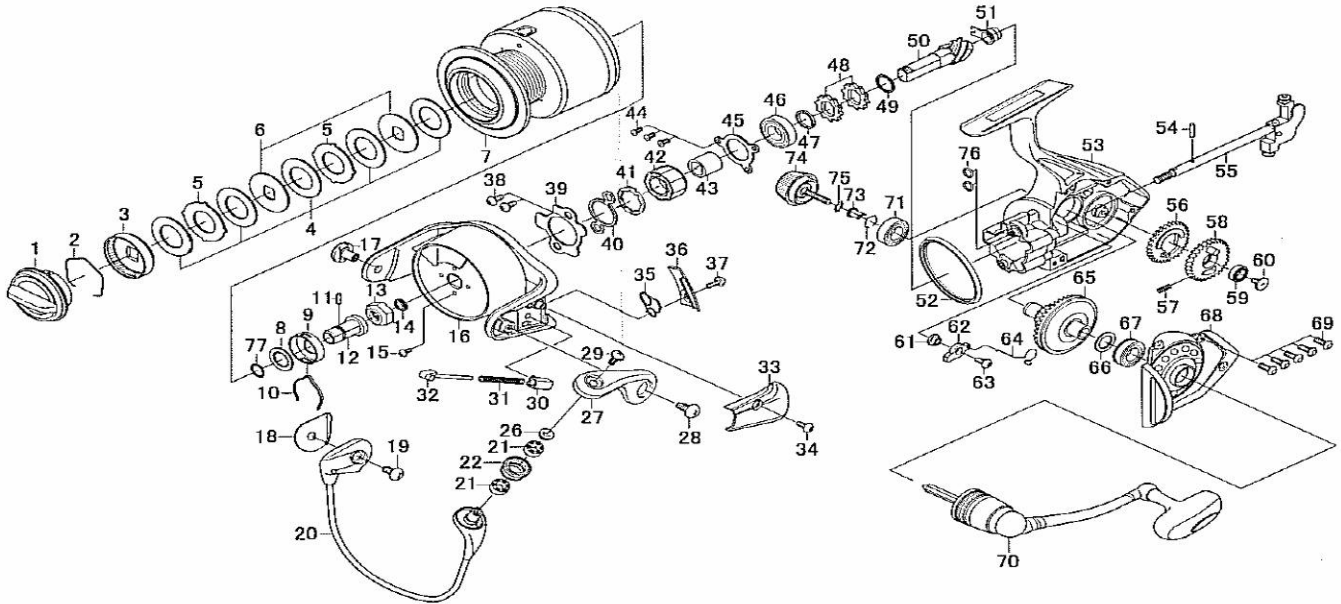


Please order by parts number, not key number
 Veuillez indiquer le numéro de la pièce (Non "Key" No.)



SALTIST 5000H/6000H/6500H



Key No.	Part No.	Parts Name
1	H37-4601	Drag knob
2	F71-0001	Drag washer retainer
3	G16-5602	Drag knob click plate
4	H24-7203	Drag washer
5	G16-5902	Eared washer
6	G16-2702	Key washer
8	G34-1501	Washer (A)
9	G34-1301	Click leaf spring holder
10	G34-1401	Spool click leaf spring
11	G33-9301	Pin (A)
12	H37-8701	Spool metal
13	H42-8801	Rotor nut
14	H05-0101	Collar (A)
15	E49-2001	Screw (A)
16	H32-4402	Rotor
17	H32-5001	Bail holder nut
18	H32-4801	Plate
19	351-6105	Screw (B)
20	H36-5301	Bail assembly
21	H03-5502	Collar (B)
22	H24-6103	Line roller
26	H27-1201	Collar (C)
27	H33-9602	Bail arm
28	352-1106	Screw (C)
29	F60-8901	Screw (D)
30	G33-7501	Bail spring holder
31	G41-8101	Bail spring
32	H32-4701	Bail spring shaft
33	H32-5401	Bail spring cover
34	352-2510	Screw (E)
35	G33-7601	Rotor brake spring
36	H32-4901	Rotor brake spring cover
37	352-2510	Screw (F)
38	351-6101	Screw (G)
39	H24-4202	Roller clutch retainer
40	H24-4001	Clutch cam retainer
41	H24-7601	Clutch cam
42	G31-4501	Roller clutch

Key No.	Part No.	Parts Name
43	H17-2703	Spacing sleeve
44	G55-7101	Screw (H)
45	H24-4501	Bearing retainer (A)
46	G47-2501	Ball bearing (A)
47	H24-3901	Collar (D)
48	E26-2701	Ratchet
49	E33-9701	Washer (D)
50	H37-3901	Pinion gear
51	H32-3501	Collar (E)
52	G33-7101	Brake ring
53	H37-3601	Body assembly
54	G33-8901	Pin (B)
55	H43-7201	Main shaft
56	H32-3101	Oscillating gear (A)
57	G15-7401	Oscillating gear spring
58	H32-3001	Oscillating gear (B)
59	G43-1001	Ball bearing (B)
60	H34-7101	Screw (I)
61	H24-3301	Collar (F)
62	H33-9401	Anti-reverse pawl
63	351-6401	Screw (J)
64	H24-4401	Spring
65	H37-4001	Drive gear
66	371-2800	Washer (E)
67	G48-2401	Ball bearing (C)
68	H37-4101	Side cover
69	G16-0101	Screw (K)
70	H37-4201	Handle assembly
71	G52-2801	Ball bearing (D)
72	H04-7201	Bearing retainer (B)
73	F40-9001	Collar (G)
74	Z01-9242	Handle screw
75	160-8101	Washer (F)
76	G16-7201	Washer (G)
77	G33-9401	"O" ring
2-7	H37-8101	Spool assembly (5000H)
2-7	H37-4301	Spool assembly (6000H)
2-7	H37-8401	Spool assembly (6500H)