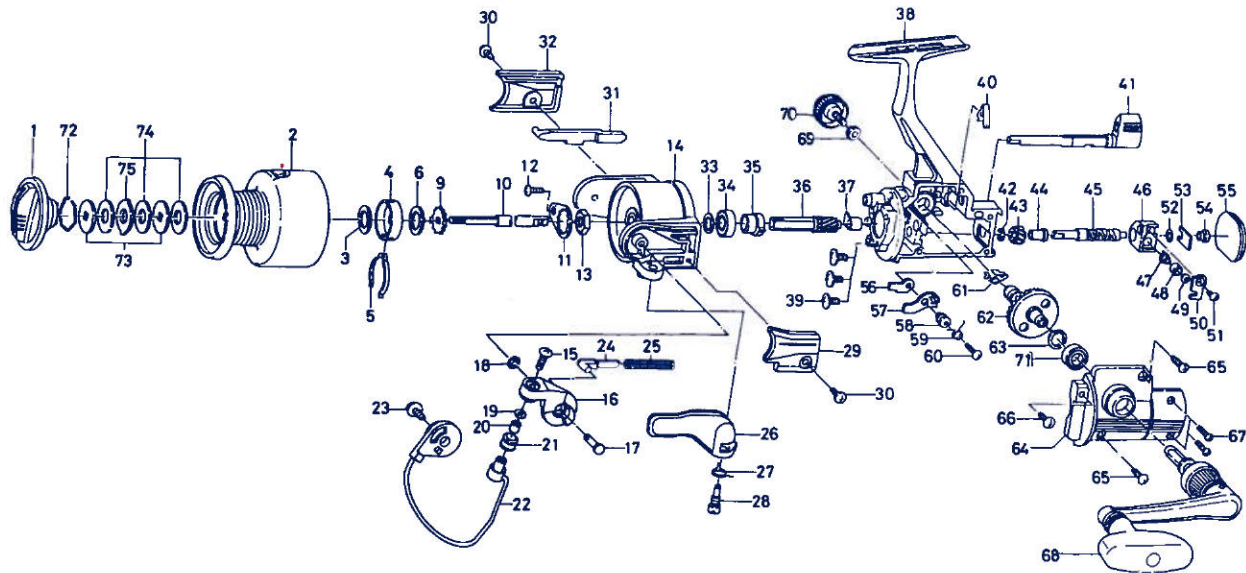


SPINNING REEL – ST1605



Key No. 2.72-75
E27-7404 Spool assembly

Key

Key No.	Part No.	Part Name
1	E27-8102	Drag knob
2	E27-7504	Spool assembly
3	375-4200	Spool washer
4	E12-2302	Click leaf spring holder
5	B74-7702	Spool click leaf spring
6	E39-7901	Main shaft washer
9	E41-3101	Click gear
10	E48-2101	Main shaft
11	B66-2601	Rotor nut holding plate
12	B93-3001	Rotor nut holding plate screw
13	B10-5701	Rotor nut
14	F01-1501	Rotor
15	B67-9304	Line roller screw
16	E36-9501	Bai arm
17	E36-9601	Bail arm screw
18	320-5901	Bail arm screw retainer
19	B55-4301	Line roller washer
20	B45-1501	Line roller collar
21	250-3921	Line roller
22	E38-6501	Bail assembly
23	E00-7101	Bail trip cam screw
24	E36-4401	Bail spring shaft
25	E39-0601	Ball spring
26	E36-9801	Trigger lever
27	E36-9901	Trigger spring
28	E41-7801	Trigger screw
29	F01-1703	Bail spring cover
30	E36-4201	Bail spring cover screw
31	F01-1602	Bail trip lever
32	E37-8203	Bail trip cover
33	371-2827	Bearing washer
34	B54-6001	Ball bearing A
35	E40-1001	Anti-reverse ratchet
36	E41-8501	Pinion gear
37	B88-0001	Pinion collar
38	E48-0401	Body assembly
39	E03-7801	Bearing retainer screw

Key

Key No.	Part No.	Part Name
40	E26-8701	Anti-reverse cam spring
41	E37-6002	Anti-reverse lever
42	320-5901	Worm shaft gear retainer
43	E42-0501	Worm shaft gear
44	E45-1101	Worm shaft bush
45	E37-6401	Worm shaft
46	E37-6301	Oscillating slider
47	E19-1202	Oscillating pawl
48	E19-1301	Oscillating pawl bush
49	375-0800	Oscillating pawl washer
50	E37-6901	Oscillating slider cover
51	E40-1501	Oscillating slider cover screw
52	375-4100	Worm shaft washer
53	E36-3801	Worm shaft retainer
54	E39-3601	Worm shaft collar
55	F01-9514	Rear cover
56	B96-5301	Anti-reverse pawl plate
57	E27-7002	Anti-reverse pawl
58	B96-5501	Anti-reverse pawl collar
59	B96-5601	Anti-reverse pawl spring A
60	B00-9701	Anti-reverse pawl screw
61	E37-7201	Anti-reverse pawl spring B
62	E41-8601	Drive gear
63	373-7802	Drive gear washer
64	E38-6104	Side cover
65	E15-8601	Side cover screw A
66	E15-8602	Side cover screw B
67	E11-9601	Side cover screw C
68	E41-8701	Handle assembly
69	F02-0201	Handle lock washer
70	F03-5601	Handle lock screw
71	631-6901	Ball bearing B
72	170-4101	Drag washer retainer
73	E27-7801	Key washer
74	B36-0204	Drag washer
75	372-3832	Eared washer