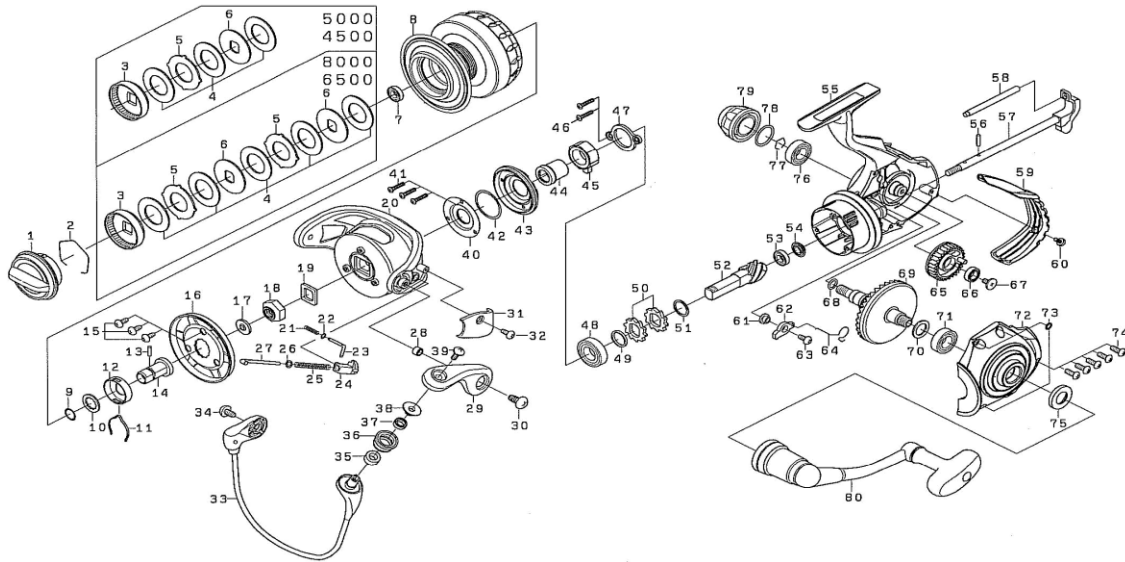


DAWA SPINNING REEL

SALTIST 4500-8000

Please order by parts number, not key number
Veuillez indiquer le numéro de la pièce (Non "Key" No.)



Key No.	Part Name	Part No.	Part No.	Part No.	Part No.
1	DRAG KNOB	H36-8601	H36-8601	H37-4601	H37-4601
2	DRAG WASHER RET	F71-0001	F71-0001	F71-0001	F71-0001
3	DRAG KNOB CLICK PLATE	G16-5602	G16-5602	G16-5602	G16-5602
4	DRAG WASHER	H24-7205	H24-7205	H24-7205	H24-7205
5	KEY WASHER	G16-2702	G16-2702	G16-2702	G16-2702
6	EARED WASHER	G16-5902	G16-5902	G16-5902	G16-5902
7	BALL BEARING	E45-3902	E45-3902	G15-6803	G15-6803
2-8	SPOOL ASSEMBLY	J42-2001	J42-1801	J42-3301	J42-3101
9	O-RING	G16-3201	G16-3201	G33-9401	G33-9401
10	SPOOL WASHER	F13-7500	F13-7500	G34-1501	G34-1501
10	WASHER			G34-1500	G34-1500
11	CLICK LEAF SPRING	B74-7701	B74-7701	G34-1401	G34-1401
12	CLICK LEAF SPRING HOLDER	E12-2301	E12-2301	G34-1301	G34-1301
13	SPOOL METAL PIN	G22-4101	G22-4101	G33-9301	G33-9301
14	SPOOL METAL	G20-3801	G20-3801	H37-8701	H37-8701
15	SCREW	G27-0801	G27-0801	G27-0801	G27-0801
16	LINGE GUAR PLATE	J32-2501	J32-2501	J31-0601	J31-0601
17	PACKING	H99-5201	H99-5201	J42-3001	J42-3001
18	ROTOR NUT	J39-4101	J39-4101	J43-2601	J43-2601
19	ROTOR NUT PLATE	G39-2202	G39-2202	J31-6501	J31-6501
20	ROTOR	J32-1601	J32-1601	J30-9401	J30-9401
21	BAIL SPRING	H50-3401	H50-3401	H78-2801	H78-2801
22	BAIL SPRING WASHER	G68-5401	G68-5401	E27-2501	E27-2501
23	SHAFT	H50-3301	H50-3301	H68-4601	H68-4601
24	BAIL SPRING HOLDER	J32-2001	J32-2001	H68-4701	H68-4701
25	BAIL SPRING HOLDER	J32-1901	J32-1901	G41-8101	G41-8101
26	WASHER	J32-1801	J32-1801	J30-9601	J30-9601
27	BAIL SPRING SHAFT	J32-1701	J32-1701	J30-9501	J30-9501
28	COLLAR	H94-5501	H94-5501	H94-5501	H94-5501
29	BAIL ARM	J30-9701	J30-9701	J30-9701	J30-9701
30	BAIL ARM SCREW	G45-5601	G45-5601	G45-5601	G45-5601
31	BAIL SPRING COVER	J32-2103	J32-2103	J30-9802	J30-9802
32	SCREW	G27-0801	G27-0801	G27-0801	G27-0801
33	BAIL	J39-3602	J39-3602	J42-3601	J42-3601
34	BAIL ARM SCREW	G45-5601	G45-5601	G45-5601	G45-5601
35	COLLAR	J41-6001	J41-6001	J41-6001	J41-6001
36	LINE ROLLER	J42-1501	J42-1501	J42-1501	J42-1501
37	BALL BEARING (MS)	J01-9302	J01-9302	J01-9302	J01-9302
38	COLLAR	J31-0401	J31-0401	J31-0401	J31-0401
39	SCREW	F60-8901	F60-8901	F60-8901	F60-8901
40	SEALED CAP	J39-3301	J39-3301	J39-3301	J39-3301
41	SCREW	J00-1601	J00-1601	J00-1601	J00-1601
42	O-RING	J21-2901	J21-2901	J21-2901	J21-2901
43	INFINITE COVER	J39-3201	J39-3201	J39-3201	J39-3201
44	SPACING SLEEVE	J39-3001	J39-3001	J39-3001	J39-3001
45	ROLLET CLUTCH	J30-9101	J30-9101	J30-9101	J30-9101
46	SCREW	J00-1602	J00-1602	J00-1601	J00-1601
47	BEARING RETAINER	J30-8401	J30-8401	J30-8401	J30-8401
48	BALL BEARING	G47-2501	G47-2501	G47-2501	G47-2501
49	WASHER	G61-3404	G61-3404	H24-3901	H24-3901
50	A/R RATCHET	E26-2701	E26-2701	E26-2701	E26-2701
51	WASHER	G61-3404	G61-3404	E33-9701	E33-9701
52+69	PINION + DRIVE GEAR UNIT	Z02-3041	Z02-3041	Z02-2625	Z02-2625
53	BALL BEARING	G52-2705	G52-2705	G43-1006	G43-1006
54	COLLAR	J32-0901	J32-0901	J30-8101	J30-8101
55	BODY	J42-0901	J42-0901	J42-2201	J42-2201
56	PIN	G16-2801	G16-2801	G33-8901	G33-8901
57	MAIN SHAFT	J42-1201	J42-1201	J42-2501	J42-2501
58	STABILIZER BAR	J32-0801	J32-0801	J30-8001	J30-8001
59	REAR COVER	J32-1503	J32-1503	J30-8902	J30-8902
60	SCREW	J00-1801	J00-1801	J00-1801	J00-1801
61	COLLAR	H24-3301	H24-3301	H24-3301	H24-3301
62	A/R PAWL	H24-3201	H24-3201	H33-9401	H33-9401
63	SCREW	351-6401	351-6401	351-6401	351-6401
64	SPRING	J30-8601	J30-8601	J30-8601	J30-8601
65	OSC GEAR	J32-0401	J32-0401	J30-7601	J30-7601
66	BALL BEARING	G46-7104	G46-7104	G43-1006	G43-1006
67	SCREW	H27-2201	H27-2201	H34-7101	H34-7101
68	O-RING	J32-1201	J32-1201	J30-8501	J30-8501
70	WASHER	371-2800	371-2800	371-2800	371-2800
71	BALL BEARING	G52-2803	G52-2803	G52-2803	G52-2803
72	BODY COVER	J42-1401	J42-1401	J42-2701	J42-2701
73	WASHER	J42-3501	J42-3501	J42-3501	J42-3501
74	SCREW	351-6416	351-6416	351-6416	351-6416
75	PACKING	J39-6001	J39-6001	J43-2001	J43-2001
76	BALL BEARING	G52-2803	G52-2803	G52-2803	G52-2803
77	RETAINER	H04-7201	H04-7201	H04-7201	H04-7201
78	O-RING	J04-2501	J04-2501	J04-2501	J04-2501
79	HANDLE SCREW CAP	J39-4902	J39-4902	J39-4902	J39-4902
80	HANDLE ASSEMBLY	J42-1601	J42-1601	J42-2801	J42-2801