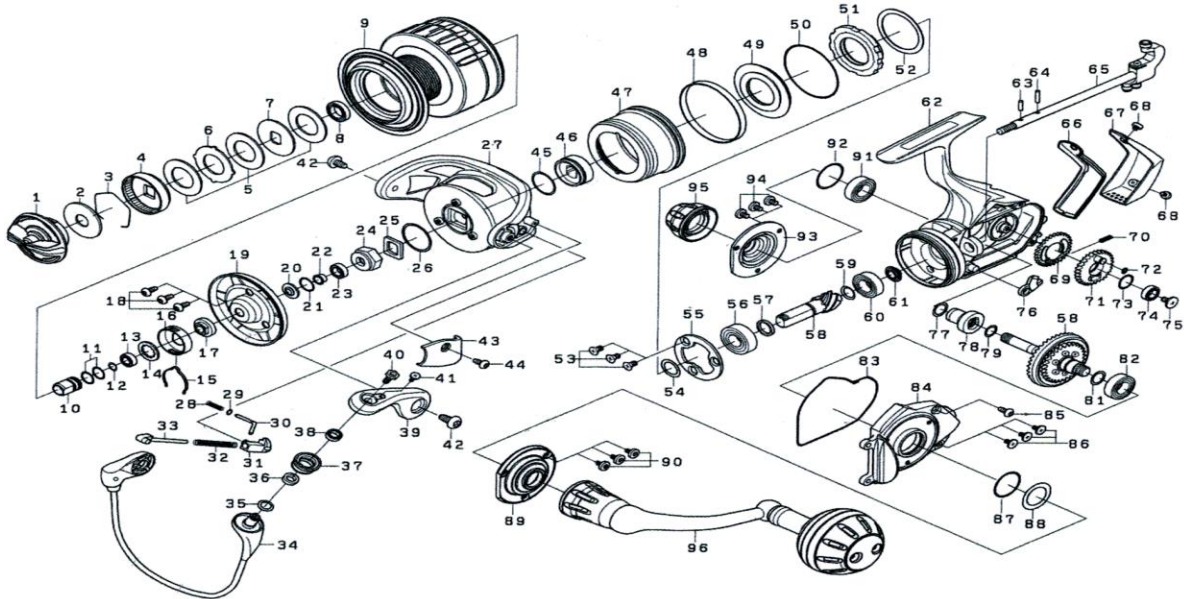


SALTIGA 5000/5000H



Key No.	Part No.	Part Name
1	J17-5402	DRAG KNOB
2	H61-6701	WASHER
3	F71-0001	DRAG WASHER RET
4	G16-5603	DRAG KNOB CLICK PLT
5	H24-7202	DRAG WASHER
6	G16-5902	EARED WASHER
7	G16-2702	KEY WASHER
8	E45-3901	BALL BEARING
2-9	J17-5801	SPOOL ASSEMBLY
10	G16-3101	SPOOL METAL
11	G16-3201	O-RING
12	G16-3001	O-RING
13	B35-8601	BALL BEARING
14	H50-5300	WASHER
15	B74-7701	LEAF SPRING
16	E12-2301	CLICK LEAF SPRING
17	G16-2901	SPOOL METAL
18	H50-3901	SCREW
19	H50-5101	COLLAR
20	H50-5001	PACKING
21	G52-2103	WASHER
22	H50-4901	COLLAR
23	G46-7102	BALL BEARING
24	H50-4801	NUT
25	G39-2201	ROTOR NUT HOLDING PLT
26	H50-1001	O-RING
27	H50-3202	ROTOR
28	H50-3401	BAIL SPRING
29	G68-5401	WASHER
30	H50-3301	SHAFT
31	H50-3501	COLLAR
32	H80-9101	BAIL SPRING
33	G01-7504	BAIL SPRING SHAFT
34	H50-4001	BAIL
35	E09-6500	WASHER
36	J04-2801	BEARING
37	J04-2901	LINE ROLLER
38	J01-9302	BALL BEARING
39	H50-3605	ARM LEVER
40	H50-4701	SCREW
41	H84-2801	SCREW
42	H50-3701	SCREW
43	H50-3801	COVER(A)
44	H50-3901	SCREW
45	H25-5001	O-RING
46	H50-2301	CLUTCH RING
47	H50-2904	INFINITE COVER
48	H62-9701	RING
49	H53-5301	MAGNET ASSEMBLY
50	H50-2601	O-RING
51	F76-5401	ONEWAY CLUTCH
52	G15-8101	WASHER
53	F20-6902	SCREW

Key No.	Part No.	Part Name
54	371-2829	WASHER
55	H50-1901	PLATE
56	635-5001	BALL BEARING
57	H50-1801	COLLAR
58	Z02-2144	PINION + DRIVE GEAR UNIT
59	G57-8501	WASHER
60	G52-2702	BALL BEARING
61	H50-1601	COLLAR
62	J17-4005	BODY
63	G22-4101	PIN
64	G16-2801	PIN
65	J17-8201	MAIN SHAFT
66	H50-3001	PACKING
67	H50-3102	REAR CAP
68	G94-6802	SCREW
69	G15-7301	OSC GEAR
70	G15-7401	SPRING
71	H50-1201	OSC GEAR
72	G21-3001	WASHER
73	G52-2100	BALL BEARING
74	G46-7102	BALL BEARING
75	H27-2201	SCREW
76	G15-9301	STOPPER ASSEMBLY
77	G16-3201	O-RING
78	H50-0802	GEAR
79	G25-2201	O-RING
81	G16-3201	O-RING
82	J04-2401	BALL BEARING
83	H50-2101	PACKING
84	H50-2006	SIDE COVER
85	G16-0101	SCREW
86	H50-5201	SCREW
87	J04-2501	O-RING
88	G52-9500	WASHER
89	J17-4206	BODY COVER (A) L
90	G94-6801	SCREW
91	J04-2401	BALL BEARING
92	J04-2501	O-RING
93	J17-4106	BODY COVER (A) R
94	G94-6801	SCREW
95	J17-4901	HANDLE CAP
96	J17-4301	HANDLE ASSEMBLY

Key No.	Part No.	Part Name
2-9	J17-7901	SPOOL ASSEMBLY
58	Z02-1693	PINION+DRIVE GEAR UNIT
69	G59-1501	OSC GEAR
71	H55-7401	OSC GEAR
84	H50-2007	SIDE COVER
89	J17-4205	BODY COVER (A) L
93	J17-4105	BODY COVER (B) R