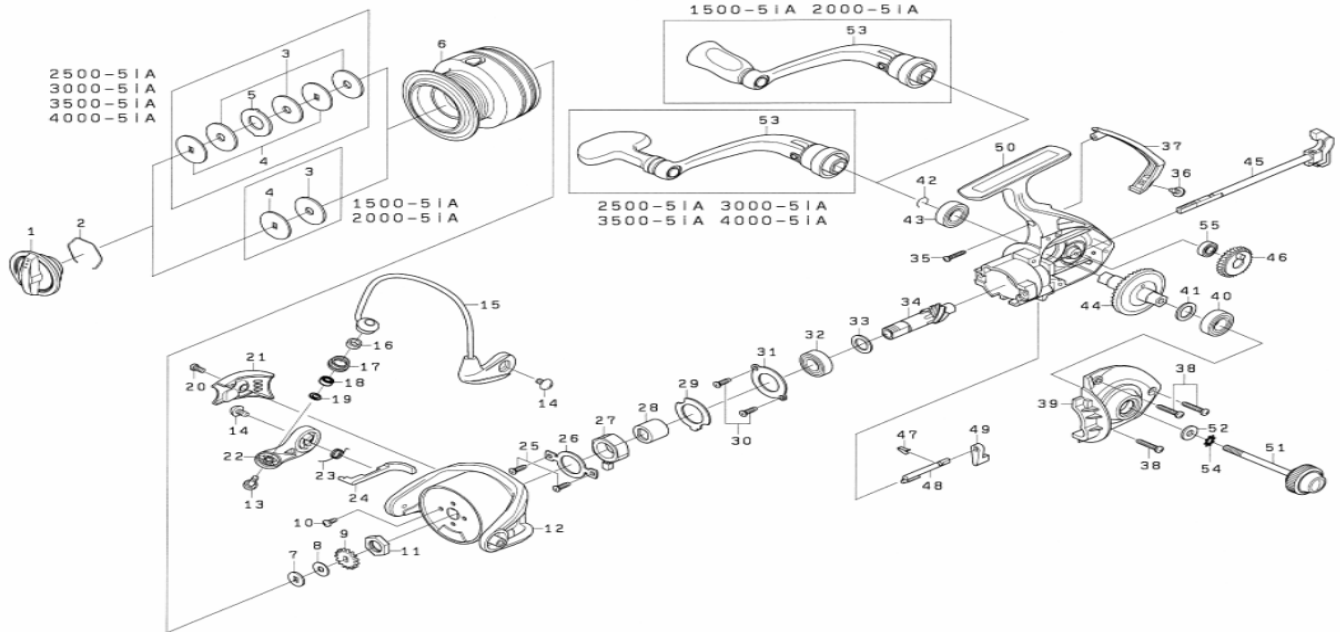


SPINNING REEL REGAL 1500-5iA/2000-5iA/2500-5iA/3000-5iA/3500-5iA/4000-5iA



| Key No. | 1500-5iA Parts No. | Parts Name | 2000-5iA Parts No. | 2500-5iA Parts No. | 3000-5iA Parts No. | 3500-5iA Parts No. | 4000-5iA Parts No. |
|---------|-----------------------|------------------------------|-----------------------|-----------------------|-----------------------|-----------------------|-----------------------|
| 1 | G89-2001 | Drag Knob | G89-2001 | G89-2001 | G89-2001 | G89-2001 | G89-2001 |
| 2 | F37-3301 | Drag Washer Retainer | F37-3301 | F37-3301 | F37-3301 | F37-3301 | F37-3301 |
| 3 | E13-6001 | Drag Washer | E13-6001 | E13-6001 | E13-6001 | E13-6001 | E13-6001 |
| 4 | E46-7201 | Key Washer | E46-7201 | E46-7201 | E46-7201 | E46-7201 | E46-7201 |
| 5 | - | Eared Washer | - | 373-3605 | 373-3605 | 373-3605 | 373-3605 |
| 2-6 | G92-8401 | Spool Assembly | G92-8601 | G92-9001 | G92-9201 | G92-9601 | G92-9801 |
| 2-6 | G97-3001 | Spool Assembly (Extra Spool) | G97-3201 | G97-3401 | G97-3601 | G97-3801 | G97-4001 |
| 7 | E46-7101 | Washer(A) | E46-7101 | E46-7101 | E46-7101 | E46-7101 | E46-7101 |
| 8 | E39-8000 | Washer (B) | E39-8000 | E39-8000 | E39-8000 | E39-8000 | E39-8000 |
| 9 | G83-9301 | Click Gear | G83-9301 | G83-9301 | G83-9301 | G83-9301 | G83-9301 |
| 10 | G62-7701 | Screw(A) | G62-7701 | G62-7701 | G62-7701 | G62-7701 | G62-7701 |
| 11 | G12-3301 | Rotor Nut | G12-3301 | G12-3301 | G12-3301 | G12-3301 | G12-3301 |
| 12 | G86-1102 | Rotor | G86-1102 | G84-1902 | G84-1902 | G84-4102 | G84-4102 |
| 13 | G19-5602 | Screw(B) | G19-5602 | G19-5602 | G19-5602 | G19-5602 | G19-5602 |
| 14 | G20-5001 | Screw(C) | G20-5001 | G20-5001 | G20-5001 | G20-5001 | G20-5001 |
| 15 | G88-9401 | Bail Assembly | G88-9401 | G89-1401 | G89-1401 | G90-6001 | G90-6001 |
| 16 | G87-4201 | Collar (A) | G87-4201 | G87-4201 | G87-4201 | G87-4201 | G87-4201 |
| 17 | F62-5003 | Line Roller | F62-5003 | F62-5003 | F62-5003 | F62-5003 | F62-5003 |
| 18 | G90-8402 | Ball Bearing (A) | G90-8402 | G90-8402 | G90-8402 | G90-8402 | G90-8402 |
| 19 | F89-7101 | Washer(C) | F89-7101 | F89-7101 | F89-7101 | F89-7101 | F89-7101 |
| 20 | G27-0801 | Screw(D) | G27-0801 | G27-0801 | G27-0801 | G27-0801 | G27-0801 |
| 21 | G86-1302 | Cover(A) | G86-1302 | G84-2102 | G84-2102 | G84-4302 | G84-4302 |
| 22 | G83-8801 | Bail Arm | G83-8801 | G83-8801 | G83-8801 | G83-8801 | G83-8801 |
| 23 | F77-7901 | Bail Spring | F77-7901 | F80-0701 | F80-0701 | F80-0701 | F80-0701 |
| 24 | G86-1201 | Bail Trip Lever | G86-1201 | G84-2001 | G84-2001 | G84-4201 | G84-4201 |
| 25 | G83-7101 | Screw(E) | G83-7101 | G83-7101 | G83-7101 | G83-7101 | G83-7101 |
| 26 | G83-7801 | Clutch Cam Retainer | G83-7801 | G83-7801 | G83-7801 | G83-7801 | G83-7801 |
| 27 | G96-3901 | Roller Clutch | G96-3901 | G96-3901 | G96-3901 | G84-5601 | G84-5601 |
| 28 | G83-5701 | Spacing Sleeve | G83-5701 | G83-5701 | G83-5701 | G83-5701 | G83-5701 |
| 29 | G83-7301 | Washer (D) | G83-7301 | G83-7301 | G83-7301 | G83-7301 | G83-7301 |
| 30 | G83-7101 | Screw(F) | G83-7101 | G83-7101 | G83-7101 | G83-7101 | G83-7101 |
| 31 | G83-7001 | Bearing Retainer(A) | G83-7001 | G83-7001 | G83-7001 | G83-7001 | G83-7001 |
| 32 | G83-6901 | Ball Bearing (B) | G83-6901 | G83-6901 | G83-6901 | G83-6901 | G83-6901 |
| 33 | 373-7805 | Washer (E) | 373-7805 | 373-7805 | 373-7805 | - | - |
| 34 | G92-3801 | Pinion Gear | G92-3801 | G90-8501 | G90-8501 | G92-4201 | G92-4201 |
| 35 | E11-9602 | Screw(G) | E11-9602 | E11-9602 | E11-9602 | E11-9602 | E11-9602 |
| 36 | G27-0801 | Screw (H) | G27-0801 | G27-0801 | G27-0801 | G27-0801 | G27-0801 |
| 37 | G86-1002 | Rear Cover | G86-1002 | G84-1802 | G84-1802 | G84-4002 | G84-4002 |
| 38 | G11-5001 | Screw (I) | G11-5001 | G11-5001 | G11-5001 | G11-5001 | G11-5001 |
| 39 | G86-0905 | Side Cover | G86-0905 | G84-1706 | G84-1706 | G84-3905 | G84-3905 |
| 40 | G83-6901 | Ball Bearing (C) | G83-6901 | G83-6901 | G83-6901 | G83-6901 | G83-6901 |
| 41 | 373-7800 | Washer (F) | 373-7800 | 373-7800 | 373-7800 | 373-7800 | 373-7800 |
| 42 | G52-5101 | Bearing Retainer (B) | G52-5101 | G52-5101 | G52-5101 | G52-5101 | G52-5101 |
| 43 | G83-6901 | Ball Bearing (D) | G83-6901 | G83-6901 | G83-6901 | G83-6901 | G83-6901 |
| 44 | G90-8601 | Drive Gear | G90-8601 | G90-8601 | G90-8601 | G92-4301 | G92-4301 |
| 45 | G86-0601 | Main Shaft | G86-0601 | G84-1401 | G84-1401 | G84-3501 | G84-3501 |
| 46 | G92-3501 | Oscillating Gear | G92-3501 | G90-8101 | G90-8101 | G92-3901 | G92-3901 |
| 47 | G83-6401 | Anti-Reverse Cam Spring | G83-6401 | G83-6401 | G83-6401 | G83-6401 | G83-6401 |
| 48 | G83-6201 | Anti-Reverse Cam | G83-6201 | G83-6201 | G83-6201 | G83-6201 | G83-6201 |
| 49 | G92-7001 | Anti-Reverse Lever | G92-7001 | G92-7001 | G92-7001 | G92-7001 | G92-7001 |
| 50 | G92-8201 | Body | G92-8201 | G92-8801 | G92-8801 | G92-9401 | G92-9401 |
| 51 | G83-9802 | Handle Screw | G83-9802 | G83-9802 | G83-9802 | G83-9804 | G83-9804 |
| 52 | G86-3901 | Washer (G) | G86-3901 | G86-3901 | G86-3901 | G86-3901 | G86-3901 |
| 53 | G92-8301 | Handle Assembly | G92-8301 | G92-8901 | G92-8901 | G92-9501 | G92-9501 |
| 54 | 160-8101 | Washer(H) | 160-8101 | 160-8101 | 160-8101 | 160-8101 | 160-8101 |
| 55 | G90-8001 | Ball Bearing (E) | G90-8001 | G90-8001 | G90-8001 | G90-8001 | G90-8001 |