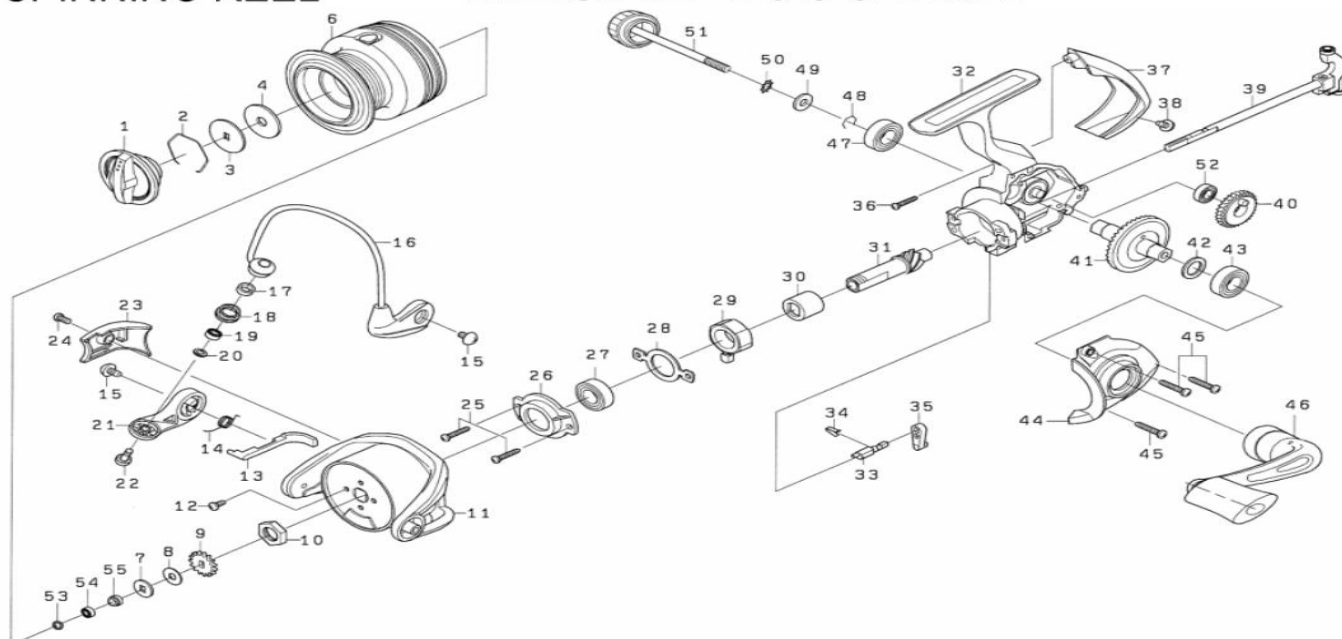


Please order by parts number, not key number
 Veuillez indiquer le numéro de la pièce (Non "Key" No.)



Daiwa
 COMMITTED TO TOTAL QUALITY
SPINNING REEL

REGAL 1000-XiA



Key No.	Parts No.	Parts Name	Key No.	Parts No.	Parts Name
1	H22-4301	Drag Knob	30	F73-2502	Spacing Sleeve
2	F37-3301	Drag Washer Retainer	31	H16-1701	Pinion Gear
3	E46-7201	Key Washer	32	H23-4201	Body
4	E13-6001	Drag Washer	33	H16-1501	Anti-Reverse Cam
2-6	H23-4601	Spool Assembly	34	G83-6401	Anti-Reverse Cam Spring
7	E46-7101	Washer (A)	35	H01-8401	Anti-Reverse Lever
8	E39-8000	Washer (B)	36	E11-9602	Screw (F)
9	G83-9301	Click Gear	37	H16-4702	Rear Cover
10	F33-6102	Rotor Nut	38	G27-0801	Screw (G)
11	H01-9808	Rotor	39	H16-4501	Main Shaft
12	G62-7701	Screw (A)	40	H01-8502	Oscillating Gear
13	H02-0001	Bail Trip Lever	41	H01-9401	Drive Gear
14	H01-9901	Bail Spring	42	375-8500	Washer (D)
15	G20-5001	Screw (B)	43	G90-8001	Ball Bearing (C)
16	H23-4401	Bail Assembly	44	H16-4604	Side Cover
17	G87-4201	Collar (A)	45	F93-9701	Screw (H)
18	F62-5003	Line Roller	46	H23-4501	Handle Assembly
19	G90-8402	Ball Bearing (A)	47	G90-8001	Ball Bearing (D)
20	F89-7101	Washer (C)	48	H01-9501	Bearing Retainer (B)
21	H02-0101	Bail Arm	49	G86-3901	Washer (E)
22	G19-5602	Screw (C)	50	160-8101	Washer (F)
23	H02-0202	Cover	51	H02-1002	Handle Screw
24	G27-0801	Screw (D)	52	G90-8801	Ball Bearing (E)
25	F93-9701	Screw (E)	53	G21-3001	"O" Ring
26	H16-1901	Bearing Retainer (A)	54	G90-8801	Ball Bearing (F)
27	G28-5801	Ball Bearing (B)	55	G90-8701	Collar (B)
28	H16-1801	Clutch Cam Retainer	2-6	H23-4601	Extra Spool Assembly
29	G53-9201	Roller Clutch			