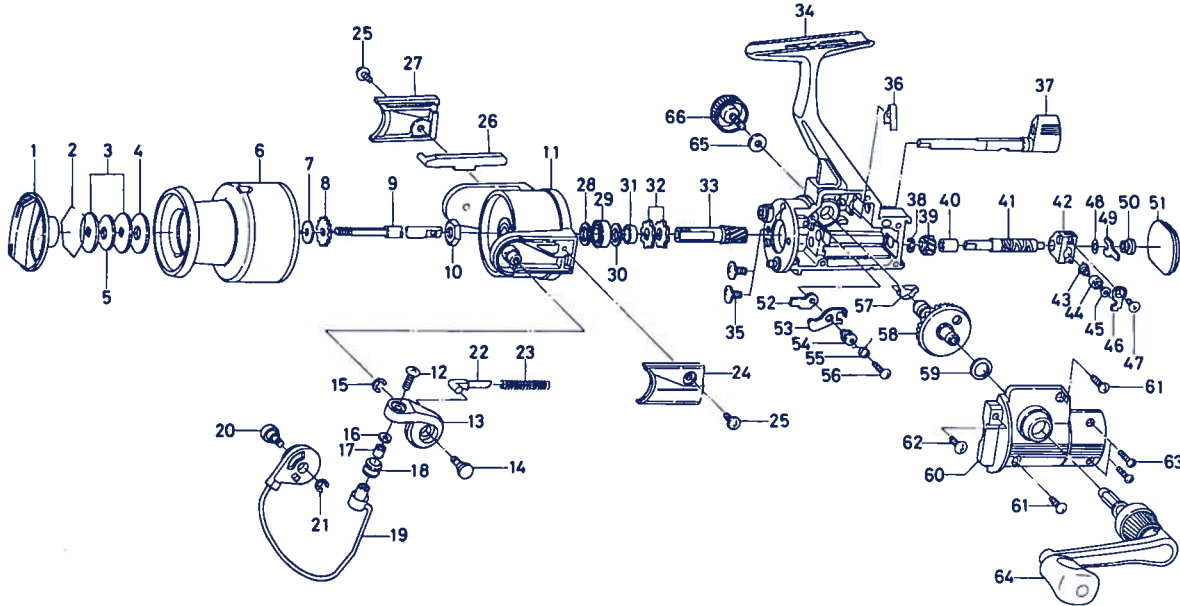


SPINNING REEL — PS700



Key No. 2-6

E41-5901 Spool assembly

Key No.	Part No.	Part Name
1	E41-6301	Drag knob
2	171-7701	Drag washer retainer
3	E13-6103	Key washer
4	E13-6003	Drag washer
5	F05-0901	Drag spring washer
6	E41-6001	Spool assembly
7	E39-4001	Spool washer
8	E36-5301	Click gear
9	E37-2301	Main shaft
10	341-9201	Rotor nut
11	E36-8103	Rotor
12	B67-9304	Line roller screw
13	F01-0401	Bail arm
14	E37-1702	Bail arm screw
15	320-5901	Bail arm screw retainer
16	B55-4301	Line roller washer
17	B45-1501	Line roller collar
18	250-3921	Line roller
19	E38-8101	Bail
20	E37-1702	Bail trip cam screw
21	320-5901	Bail trip cam screw retainer
22	E36-8201	Bail spring shaft
23	E41-7701	Bail spring
24	E36-8303	Bail spring cover
25	E36-4201	Bail spring cover screw
26	E36-8402	Bail trip lever
27	E36-8503	Bail trip cover
28	375-8503	Bearing washer A
29	634-1301	Ball bearing
30	375-8503	Bearing washer B
31	E29-6101	Spacing sleeve
32	E27-1501	Anti-reverse ratchet
33	E42-0001	Pinion gear

Key

Key No.	Part No.	Part Name
34	F05-0701	Body
35	E03-7801	Bearing retainer screw
36	E26-8701	Anti-reverse cam spring
37	E36-3207	Anti-reverse lever
38	B33-9801	Worm shaft gear retainer
39	E41-5801	Worm shaft gear
40	E29-6501	Worm shaft bush
41	E41-9901	Worm shaft
42	F01-1003	Oscillating slider
43	E12-2403	Oscillating pawl
44	E12-4601	Oscillating pawl bush
45	375-0800	Oscillating pawl washer
46	E11-6801	Oscillating slider cover
47	E15-0203	Oscillating slider cover screw
48	B53-6101	Worm shaft washer
49	E29-6701	Worm shaft retainer
50	E29-6601	Worm shaft collar
51	F01-9807	Rear cover
52	B95-9301	Anti-reverse pawl plate
53	E27-1301	Anti-reverse pawl
54	B95-9501	Anti-reverse pawl collar
55	B95-9602	Anti-reverse pawl spring A
56	B00-8601	Anti-reverse pawl screw
57	E29-6902	Anti-reverse pawl spring B
58	E42-0101	Drive gear
59	375-8502	Drive gear washer
60	F02-0002	Side cover
61	E15-8601	Side cover screw A
62	E13-0501	Side cover screw B
63	E11-9601	Side cover screw C
64	E41-7902	Handle assembly
65	F02-0201	Handle lock washer
66	F03-5601	Handle lock screw

Part No.	Price
E41-5901	7.50
E41-6301	1.50
171-7701	0.80
E13-6103	0.55
E13-6003	1.00
F05-0901	0.35
E41-6001	1.00
E39-4001	0.50
E36-5301	0.50
E37-2301	0.70
341-9201	0.75
E36-8103	0.75
B67-9304	0.40
F01-0401	0.40
E37-1702	0.40
320-5901	0.40
B55-4301	0.40
B45-1501	0.40
250-3921	0.40
E38-8101	0.60
E37-1702	0.40
320-5901	0.40
E36-8201	0.40
E41-7701	0.40
E36-8303	0.40
E36-4201	0.40
E36-8402	0.40
E36-8503	0.40
375-8503	0.40
634-1301	0.40
375-8503	0.40
E29-6101	0.40
E27-1501	0.40
E42-0001	0.40
F05-0701	0.40
E03-7801	0.40
E26-8701	0.55
E36-3207	1.00
B33-9801	0.35
E41-5801	0.40
E29-6501	0.50
E41-9901	0.50
F01-1003	0.70
E12-2403	0.75
E12-4601	0.40
375-0800	0.40
E11-6801	0.40
E15-0203	0.40
B53-6101	0.35
E29-6701	0.40
E29-6601	0.40
F01-9807	0.60
B95-9301	0.40
E27-1301	0.75
B95-9501	0.40
B95-9602	0.40
B00-8601	0.40
E29-6902	0.40
E42-0101	0.40
375-8502	0.40
F02-0002	0.40
E15-8601	0.40
E13-0501	0.40
E11-9601	0.40
E41-7902	0.40
F02-0201	0.40
F03-5601	0.40