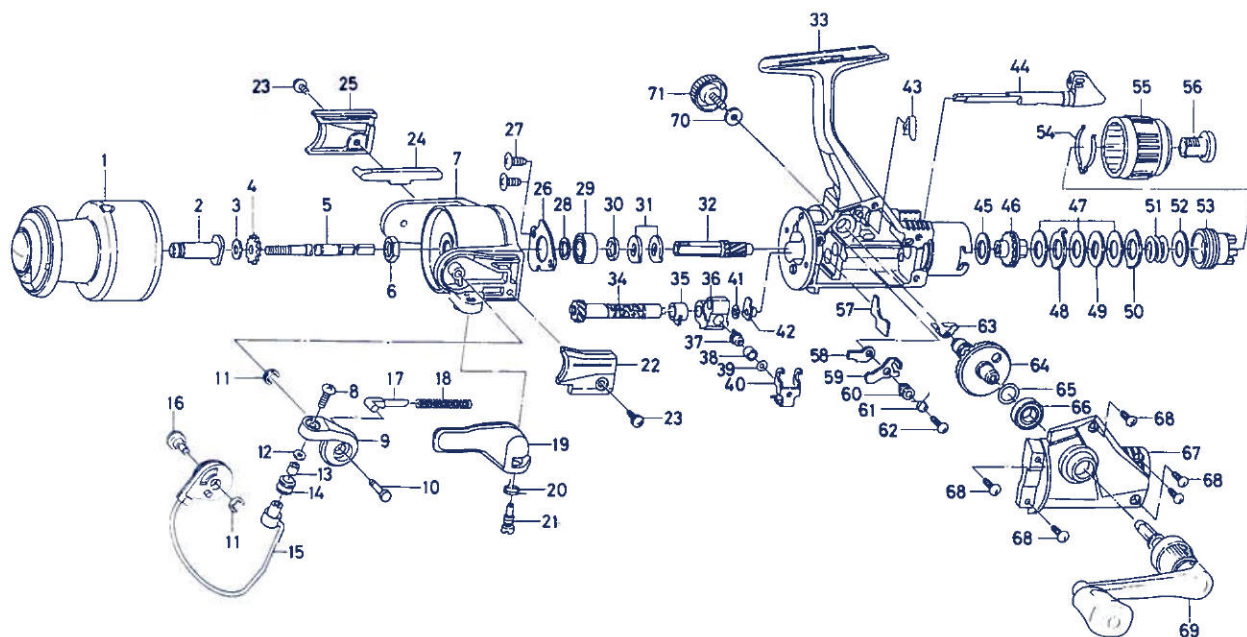


SPINNING REEL — PM755



Key

No.	Part No.	Part Name
1	F07-5702	Spool assembly
2	F07-4601	Spool metal
3	375-3002	Spool washer
4	E13-1201	Main shaft washer
5	F07-3201	Main shaft
6	341-9201	Rotor nut
7	E37-3206	Rotor
8	B67-9304	Line roller screw
9	E37-3301	Bail arm
10	E37-3401	Bail arm screw
11	320-5901	Bail arm screw retainer
12	B55-4301	Line roller washer
13	B45-1501	Line roller bushing
14	250-3921	Line roller
15	E49-4501	Bail assembly
16	E38-3102	Bail trip cam screw
17	E36-8201	Bail spring shaft
18	E37-2401	Bail spring
19	E37-3601	Trigger lever
20	E36-9901	Trigger spring
21	E41-7801	Trigger screw
22	E37-3502	Bail spring cover
23	E36-4202	Bail spring cover screw
24	E36-8402	Bail trip lever
25	E36-8505	Bail trip cover
26	F05-7101	Bearing retainer
27	E03-7801	Bearing retainer screw
28	375-8503	Bearing washer
29	634-1301	Ball bearing A
30	E29-6101	Spacing sleeve
31	E36-9401	Anti-reverse ratchet
32	F07-5501	Pinion gear
33	F11-1401	Body assembly
34	F12-4301	Worm shaft
35	F07-3001	Worm shaft bush
36	F07-2601	Oscillating slider

Key

No.	Part No.	Part Name
37	E12-2403	Oscillating pawl
38	E12-4601	Oscillating pawl bush
39	375-0800	Oscillating pawl washer
40	F07-3301	Oscillating slider cover
41	B53-6100	Worm shaft washer
42	F05-6901	Worm shaft collar
43	E26-8701	Anti-reverse cam spring
44	F07-2403	Anti-reverse lever
45	B48-9902	Drag washer A
46	F07-3701	Click gear
47	B49-0202	Drag washer B
48	B63-8301	Eared washer A
49	B49-0301	Key washer
50	B49-0102	Eared washer B
51	B92-6703	Drag coil spring
52	372-7601	Drag screw washer
53	F07-6301	Drag screw
54	B74-7702	Drag washer spring
55	F07-6601	Drag knob
56	F05-7801	Drag knob screw
57	F08-7201	Shield plate
58	B95-9301	Anti-reverse pawl plate
59	E27-1301	Anti-reverse pawl
60	B95-9501	Anti-reverse pawl collar
61	B95-9602	Anti-reverse pawl spring A
62	B00-8601	Anti-reverse pawl screw
63	E29-6902	Anti-reverse pawl spring B
64	E42-0101	Drive gear
65	375-8501	Drive gear washer
66	634-1301	Ball bearing B
67	F11-1501	Side cover
68	E13-0501	Side cover screw
69	E41-7902	Handle assembly
70	F02-0201	Handle lock washer
71	F03-5601	Handle lock screw