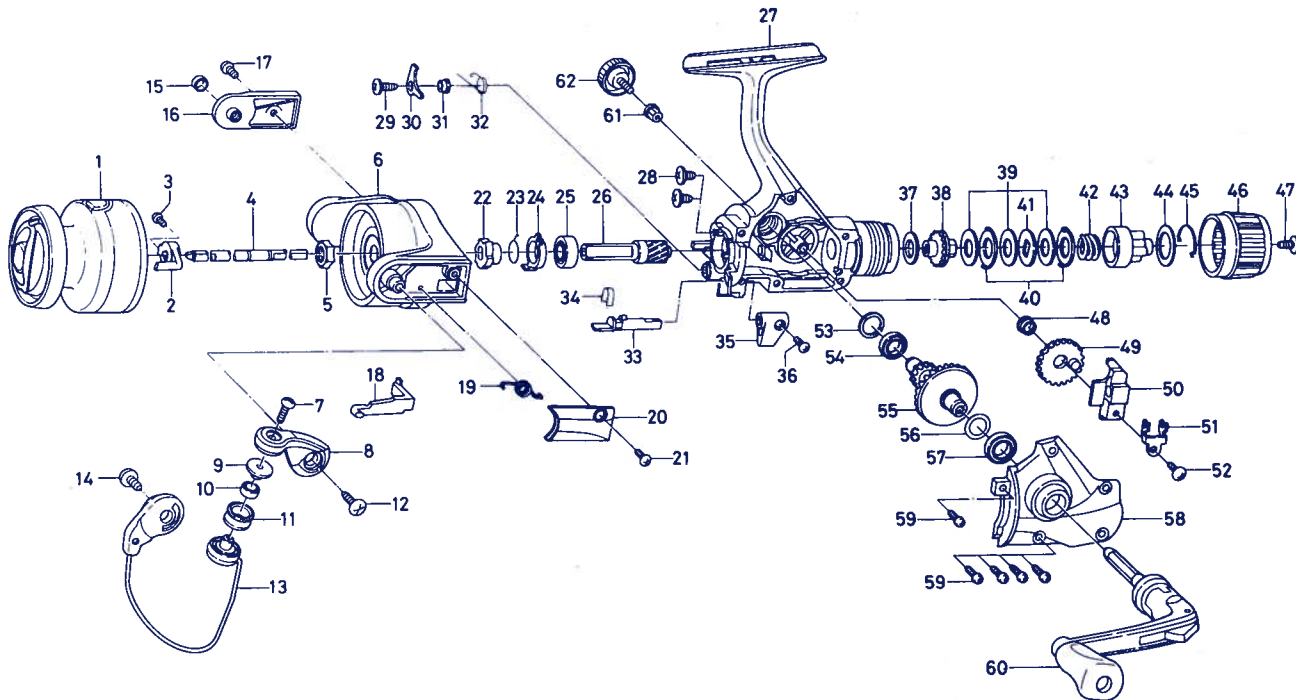


SPINNING REEL PG1350BL



Key No.	Parts No.	Parts Name	Key No.	Parts No.	Parts Name
1	F19-6801	Spool assembly	33	F19-5101	Anti-reverse cam
2	F19-6702	Spool metal	34	F19-5201	Anti-reverse cam spring
3	351-1001	Spool metal screw	35	F19-4901	Anti-reverse lever
4	F19-5502	"Main shaft"	36	864-6602	Anti-reverse lever screw
5	341-9201	Rotor nut	37	B48-9902	Drag washer A
6	F19-6401	Rotor	38	B83-3604	Click gear
7	B67-9305	Line roller screw	39	L10-9601	Drag washer B
8	E50-4802	Bail arm	40	L10-9701	Eared washer
9	F06-6301	Line roller collar	41	L10-9801	Key washer
10	F05-5601	Ball bearing A	42	F06-2301	Drag coil spring
11	F05-8901	Line roller	43	F19-5901]Drag collar
12	E00-7102	Bail arm screw	44	L11-0001	Drag collar washer
13	F19-6501	Bail assembly	45	L08-5601	Drag washer spring
14	B51-5302	Bail trip cam screw	46	F19-9501	Drag knob
15	F17-3001	Bail trip collar	47	E03-7802	Drag knob screw
16	F17-9901	Bail trip cover	48	E29-9401	Oscillating gear collar
17	L01-1701	Bail trip cover screw	49	E45-1302	Oscillating gear
18	E45-1601	Bail trip lever	50	F19-5401	Oscillating slider
19	F12-8901	Bail spring	51	F19-5601	Oscillating slider retainer
20	F08-8401	Bail spring cover	52	350-8912	Oscillating slider screw
21	E36-4201	Bail spring cover screw	53	E50-5801	Bearing washer
22	L01-4001	Anti-reverse ratchet	54	637-5701	Ball bearing C
23	F19-6301	Anti-reverse pawl spring A	55	F17-0001	Drive gear
24	F19-6201	Spring holder	56	373-7800	Drive gear washer
25	L03-6601	Ball bearing B	57	631-6901	Ball bearing D
26	E51-9801	Pinion gear	58	F19-5701	Side cover
27	F19-4801	Body assembly	59	E15-8602	Side cover screw
28	E03-7801	Bearing retainer screw	60	F19-9401	Handle assembly
29	L00-1801	Anti-reverse pawl screw	61	501-8501	Handle collar
30	F19-5301	Anti-reverse pawl	62	B92-5002	Handle lock screw
31	L01-4302	Anti-reverse pawl collar			
32	L00-1501	Anti-reverse pawl spring B			