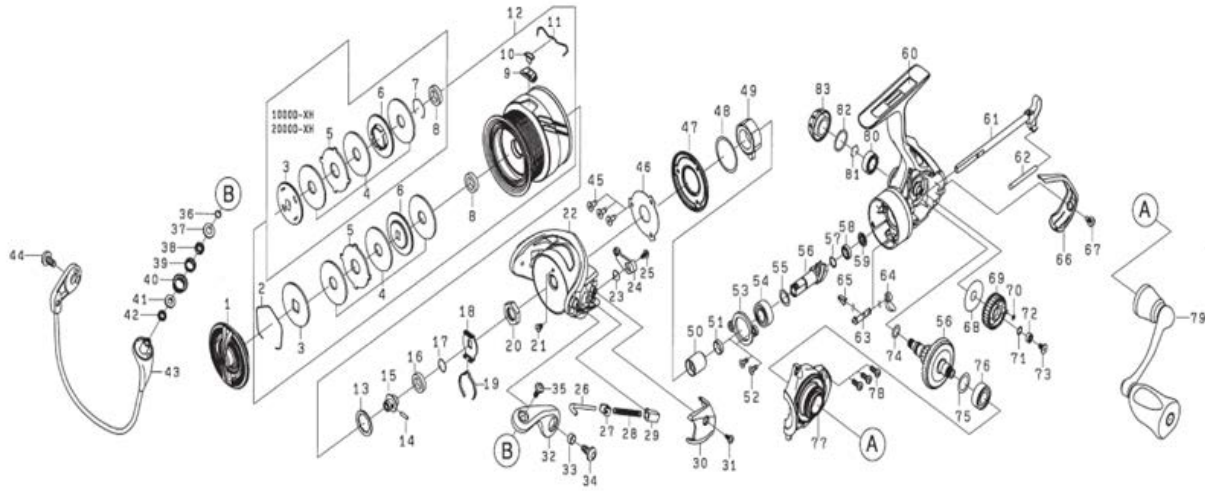


# DAIWA

## SPINNING REEL

### KGLT1000D-XH/2000D-XH/2500D-CXH

\*Please order by parts number, not key number.



Key No	Part No	Description
1	J56-0501	DRAG KNOB
2	J54-7101	DRAG RING
3	J56-3801	DRAG DISC WASHER
4	J67-8801	ATD DRAG WASHER
5	J54-6901	DRAG LIP WASHER
6	J56-3701	DRAG DISC WASHER
7	B35-8701	DRAG COLLAR RING
8	J54-6701	DRAG COLLAR
9	J56-3601	LINE STOPPER PLATE
10	J55-8001	LINE STOPPER
11	J31-4801	LINE STOPPER SPRING
2~12	J92-5201	SPOOL ASSY
13	J54-6300	SPOOL WASHER
14	J55-8201	SPOOL METAL SCREW
15	J56-4101	SPOOL METAL
16	E30-6801	SPOOL METAL BALL BEARING
17	J60-2201	CLICK HOLDER WASHER
18	J54-6201	CLICK HOLDER
19	J95-3201	CLICK LEAF SPRING
20	J00-1901	ROTOR NUT
21	H02-2701	ROTOR NUT SCREW
22	H97-4324	ROTOR
23	H44-3301	KICK LEVER SPRING
24	H44-3401	KICK LEVER ASSY
25	H41-7701	KICK LEVER SCREW
26	H44-3601	ARM LEVER SHAFT
27	H57-6101	ARM LEVER SHAFT PLATE
28	H44-2401	ARM LEVER SHAFT SPRING
29	H41-4301	ARM LEVER SHAFT HOLDER
30	H97-4401	ARM LEVER SP COVER
31	H43-1301	ARM LEVER SP COVER SCREW
32	H96-0107	ARM LEVER
33	H96-2401	ARM LEVER COLLAR
34	H43-1201	ARM LEVER SCREW
35	H69-7701	ROLLER SCREW
36	H96-1001	ROLLER COLLAR (A)
37	H03-8301	ROLLER BEARING PCKING
38	G68-6903	ROLLER BALL BEARING
39	H96-0901	ROLLER BEARING COLLAR
40	G68-6702	LINE ROLLER
41	H96-0801	ROLLER COLLAR (B)
42	H96-0701	ROLLER COLLAR (C)
43	J56-0101	BAIL ASSY
45	J42-9301	SEALED PLATE SCREW
46	J67-5301	SEALED PLATE
47	J44-5901	SEALED CAP
48	J63-9901	ONEWAY CLUTCH WASHER (0.05)
49	J38-8401	ONEWAY CLUTCH
50	J53-6102	CLUTCH RING
51	J53-6201	PINION BEARING COLLAR
52	G99-7301	PINION BEARING PLATE SCREW
53	H44-2202	PINION BEARING PLATE

Key No	Part No	Description
54	G46-7302	PINION BALL BEARING (A)
55	375-8502	PINION BEARING WASHER(A)
56	Z02-4031	PINION + DRIVE GEAR SET
57	J68-3001	PINION BEARING SPRING WASHER(B)
58	H95-9601	PINION BALL BEARING (B)
59	J38-7701	PINION COLLAR
60	J92-5001	BODY ASSY
61	J55-9701	MAIN SHAFT
62	J52-6101	OSCILLATING POST
63	H59-5501	STOPPER CAM
64	H59-5401	STOPPER LEVER
65	H69-7801	STOPPER CAM LEAF SPRING
66	J52-4901	REAR CAP
67	J38-9001	REAR CAP SCREW
68	H60-7902	OSCILLATING GEAR WASHER
69	J53-5801	OSCILLATING GEAR
70	G68-3301	OSCILLATING GEAR ORING
71	H12-9201	OSCILLATING GEAR BALL BEARING WASHER
72	G46-9005	OSCILLATING GEAR BALL BEARING
73	G99-7001	OSCILLATING GEAR BALL BEARING SCREW
74	G67-0501	DRIVE GEAR ORING
77	J58-2502	BODY COVER ASSY
78	J38-9801	BODY COVER SCREW
79	J92-5101	HANDLE ASSY
80	G52-2706	DRIVE GEAR BALL BEARING (B)
81	G47-2401	DRIVE BEARING RING
82	G16-2401	HANDLE CAP ORING
83	J38-9701	HANDLE CAP

#### KGLT2000D-XH Special Parts

Key No	Part No	Description
2~12	J92-5301	SPOOL ASSY

#### KGLT2500D-CXH Special Parts

Key No	Part No	Description
1	J54-7201	DRAG KNOB
3	J54-7001	DRAG DISC WASHER
5	J54-6902	DRAG LIP WASHER
6	J54-9001	DRAG DISC WASHER
9	J55-8101	LINE STOPPER PLATE
2~12	J92-5501	SPOOL ASSY
15	J54-9501	SPOOL METAL
22	J54-5301	ROTOR
23	H41-3601	KICK LEVER SPRING
24	J54-5401	KICK LEVER ASSY
26	J54-5601	ARM LEVER SHAFT
28	J64-2801	ARM LEVER SHAFT SPRING
30	J54-5701	ARM LEVER SP COVER
43	J54-5801	BAIL ASSY
61	J62-6401	MAIN SHAFT
79	J92-5401	HANDLE ASSY