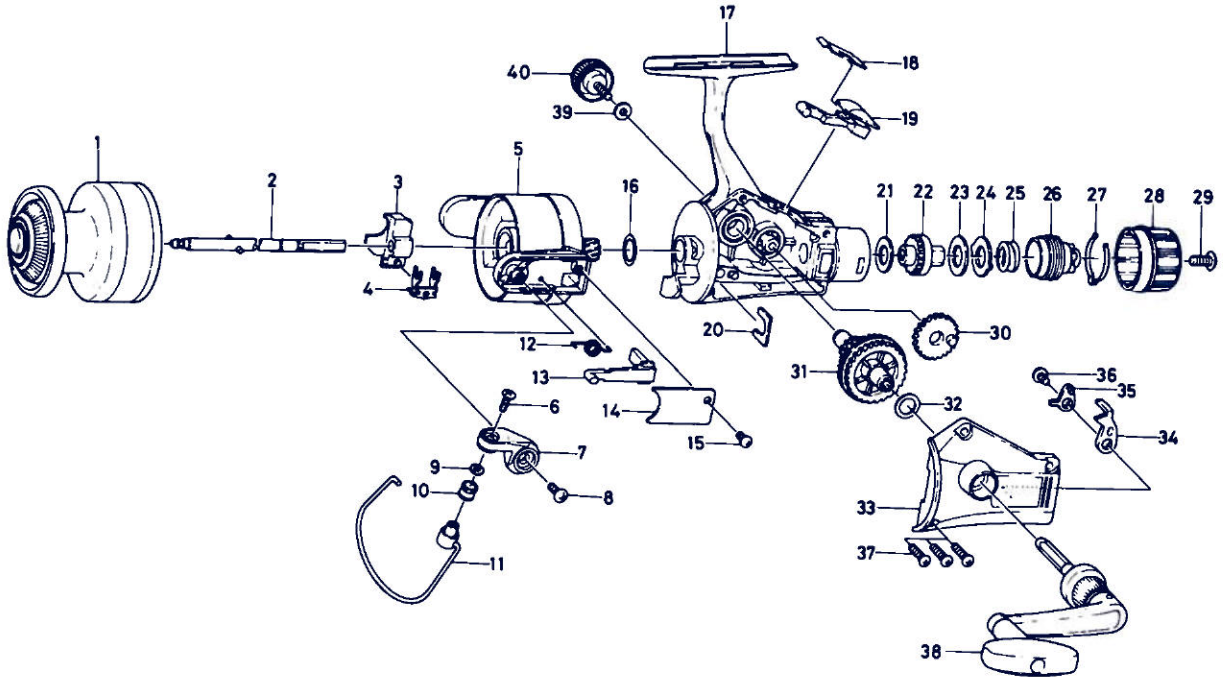


SPINNING REEL — J1650L / 2050L



Part No.	Part Name
B78-4607	Spool
B77-0801	Main shaft
B93-7101	Oscillating slider
B93-7201	Oscillating slider retainer
K06-2101	Rotor
B67-9301	Line roller screw
B91-6701	Bail arm
351-6102	Bail arm screw
B55-4301	Line roller washer
250-3921	Line roller
B93-6801	Bail
B91-6501	Bail spring
B93-6602	Bail trip lever
B93-6702	Bail spring cover
352-0402	Bail spring cover screw
372-8601	Spool washer
K06-2001	Body
B79-0101	Anti-reverse cam spring
B84-8901	Anti-reverse lever
B60-3401	Pinion retainer
B78-6601	Drag washer A
B76-9804	Click gear
B46-9505	Drag washer B
373-3601	Eared washer

Key

No.	Part No.	Part Name
25	B91-3701	Drag coil spring
26	B77-0003	Drag screw
27	B77-0301	Drag washer spring
28	B77-0401	Drag knob
29	352-1103	Drag knob spring screw
30	B74-3701	Oscillating gear
31	B93-7001	Drive gear
32	373-7808	Drive gear washer
33	K06-2201	Side cover
34	E05-2001	Anti-reverse pawl
35	B50-1201	Anti-reverse pawl plate
36	351-6102	Anti-reverse pawl screw
37	351-8504	Side cover screw
38	B93-7601	Handle
39	B92-4902	Handle lock washer
40	B92-5001	Handle screw cap

2050L Special Parts:

1	B78-4407	Spool
5	K06-1801	Rotor
11	B93-8501	Bail
17	K06-1701	Body
33	K06-1901	Side cover
38	B93-8701	Handle