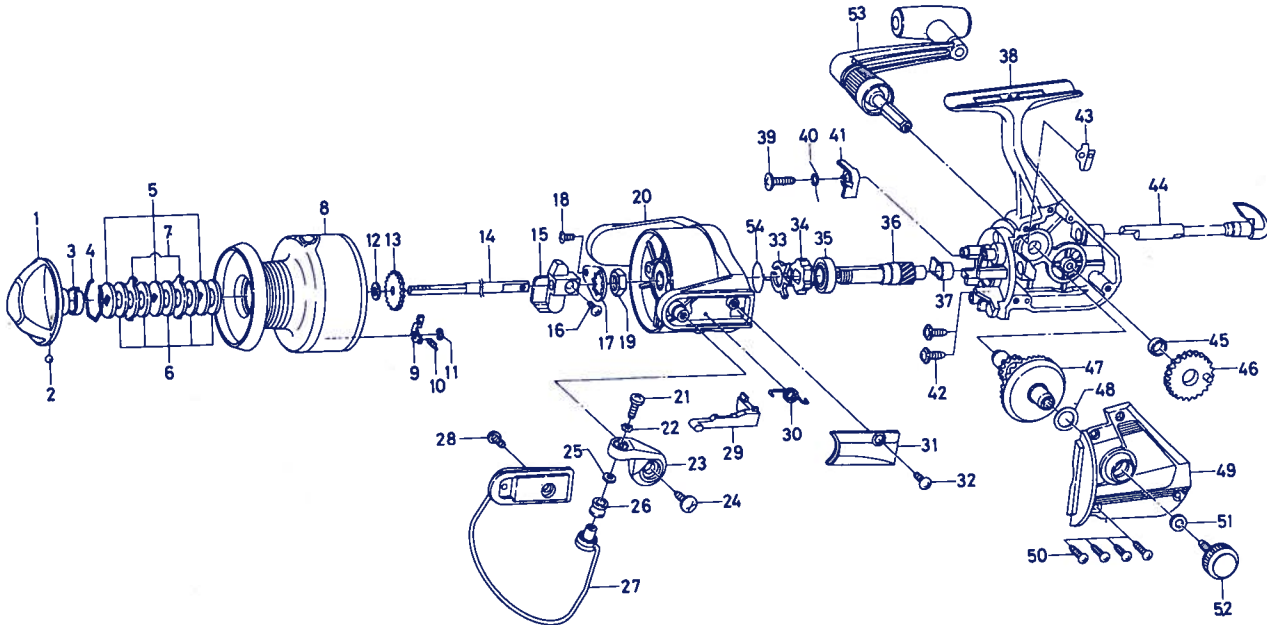


# SPINNING REEL EL9000X

Please order by part number, not key number.



No. 4-11 L13-6501

Spool Assembly

Key No.	Parts No.	Parts Name
1	E50-9701	Drag knob
2	635-4701	Click ball
3	E32-8701	Click leaf spring
4	171-7701	Drag washer retainer
5	L03-1301	Key washer
6	373-3712	Drag washer
7	B89-9501	Eared washer
8	L13-6601	Spool assembly
9	B07-8201	Click pawl
10	145-2101	Click spring
11	320-1402	Click retainer
12	L11-9001	Spool washer
13	L11-8501	Click gear
14	L11-9501	Main shaft
15	L11-4801	Oscillating slider
16	351-8901	Oscillating slider screw
17	B02-1601	Rotor nut holding plate
18	L01-1702	Rotor nut holding plate screw
19	340-8301	Rotor nut
20	L11-7207	Rotor
21	353-9702	Line roller screw
22	160-8101	Lock washer
23	L10-5001	Bail arm
24	E00-7602	Bail arm screw
25	373-4501	Line roller washer
26	250-4221	Line roller
27	L13-3501	Bail assembly

Key No.	Parts No.	Parts Name
28	L01-1701	Bail trip cam screw
29	L11-7301	Bail trip lever
30	L06-7001	Bail spring
31	L11-5601	Bail spring cover
32	E36-4201	Bail spring cover screw
33	L07-0701	Anti-reverse pawl spring A
34	L09-1701	Anti-reverse ratchet
35	L03-6401	Ball bearing
36	L11-4401	Pinion gear
37	L00-6001	Pinion collar
38	L13-6002	Body assembly
39	L06-6501	Anti-reverse pawl screw
40	L06-6401	Anti-rpverse pawl spring B
41	L07-8601	Anti-reverse pawl
42	L01-1601	Bearing retainer screw
43	E01-1801	Anti-reverse cam spring
44	L10-0709	Anti-reverse lever
45	647-4101	Oscillating gear collar
46	L11-4701	Oscillating gear
47	L07-1701	Drive gear
48	371-2800	Drive gear washer
49	L13-6202	Side cover
50	B83-5001	Side cover screw
51	L02-2301	Handle washer
52	L00-9101	Handle lock screw
53	L01-2901	Handle assembly
54	F21-2001	Anti-reverse pawl spring C