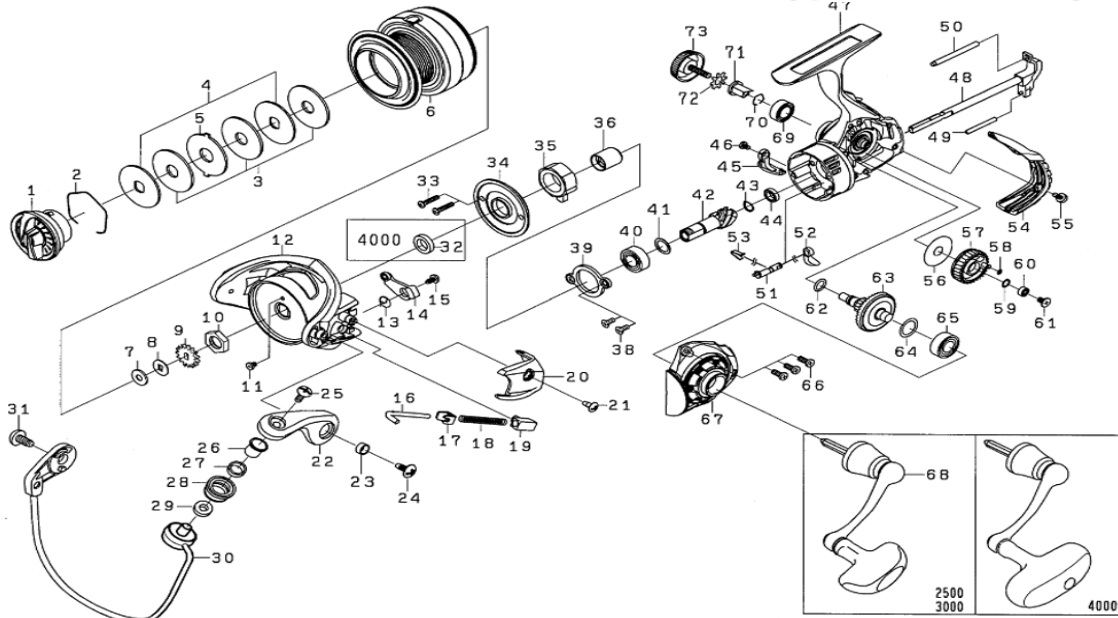


SPINNING REEL

ELT2500/3000/4000

*Please order by parts number, not key number.



Key No	Part No	Description
1	J79-1901	DRAG KNOB ASSY
2	F37-3301	DRAG RING
3	E13-6001	DRAG DISC WASHER
4	E46-7201	DRAG WASHER
5	373-3606	DRAG LIP WASHER
6	J79-1801	SPOOL ASSY (2-5)
7	E39-8003	SPOOL WASHER (A)
8	E46-7101	SPOOL WASHER (B)
9	G83-9301	CLICK GEAR
10	J00-1901	ROTOR NUT
11	H02-2701	ROTOR NUT SCREW
12	H96-0038	ROTOR
13	H41-3601	KICK LEVER SPRING
14	J03-8501	KICK LEVER ASSY
15	H41-7701	KICK LEVER SCREW
16	H41-4101	ARM LEVER SHAFT
17	H57-6101	ARM LEVER SHAFT PLATE
18	H54-5701	ARM LEVER SPRING
19	H41-4301	ARM LEVER SPRING HOLDER
20	H96-0204	ARM LEVER SPRING COVER
21	G27-0801	ARM LEVER SPRING COVER SCREW
22	H72-8927	ARM LEVER
23	H96-2401	ARM LEVER SCREW COLLAR
24	G20-5001	ARM LEVER SCREW
25	G19-5602	ROLLER SCREW
26	J56-6101	ROLLER COLLAR (A)
27	G22-0701	ROLLER COLLAR (B)
28	J08-9902	LINE ROLLER
29	G87-4201	ROLLER COLLAR (C)
30	J37-5101	BAIL ASSY
32	N/A	N/A
33	J00-1601	SEALED PLATE SCREW
34	J00-1501	SEALED PLATE
35	J38-8401	ONEWAY CLUTCH
36	J00-1403	CLUTCH RING
38	J00-0901	PINION BEARING PLATE SCREW
39	H44-2201	PINION BEARING PLATE
40	G46-7302	PINION BALL BEARING (A)
41	375-8502	PINION BEARING WASHER (A)
43	H93-1701	PINION BEARING SPRING WASHER (B)
44	H95-9601	PINION BALL BEARING (B)
45	J00-1101	BAIL KICK COLLAR
46	G94-0402	BAIL KICK COLLAR SCREW
47	J79-1201	BDY ASSY
48	J00-0701	MAIN SHAFT
49	J08-4801	OSCILLATING POST (A)
50	H61-4301	OSCILLATING POST (B)
51	H59-5501	STOPPER CAM
52	H59-5401	STOPPER LEVER

Key No	Part No	Description
53	H69-7801	STOPPER CAM SPRING
54	J35-5705	REAR CAP
55	J00-1801	REAR CAP SCREW
56	H59-5701	OSCILLATING GEAR WASHER
57	H59-5801	OSCILLATING GEAR
58	H77-0601	OSCILLATING GEAR O-RING
59	H12-9201	OSCILLATING GEAR BALL BEARING WASHER
60	G46-9005	OSCILLATING GEAR BALL BEARING
62	G67-0501	DRIVE GEAR O-RING
66	G33-2906	BODY COVER SCREW(A)
67	J79-1501	BODY COVER
68	J79-1601	HANDLE ASSY
69	G52-2706	DRIVE GEAR BALL BEARING (B)
70	G47-2401	DRIVE GEAR BALL BEARING (B) RING
71	F72-1001	HANDLE COLLAR
72	160-8401	HANDLE WASHER
73	H61-3304	HANDLE SCREW
200	H51-3201	HANDLE KNOB WASHER(A)
201	B41-1703	HANDLE KNOB WASHER(B)
202	H85-0401	HANDLE KNOB COLLAR
203	H74-4901	HANDLE KNOB ASSY
204	B67-9308	HANDLE KNOB SCREW
205	H47-6301	HANDLE KNOB CAP
42+63	Z02-4206	PINION GEAR + DRIVE GEAR UNIT

ELT3000 Special Parts

Key No	Part No	Description
6	J79-2501	SPOOL ASSY (2-5)
12	H98-6323	ROTOR
14	J07-2301	KICK LEVER ASSY
16	H57-2001	ARM LEVER SHAFT
18	J08-9301	ARM LEVER SPRING
19	J08-9401	ARM LEVER SPRING HOLDER
20	H98-6403	ARM LEVER SPRING COVER
30	H98-5002	BAIL ASSY
32	N/A	N/A
34	J01-3401	SEALED PLATE
39	H41-1501	PINION BEARING PLATE
40	G53-5104	PINION BALL BEARING (A)
44	G46-6202	PINION BALL BEARING (B)
47	J79-2001	BDY ASSY
48	J01-2801	MAIN SHAFT
49	J08-4802	OSCILLATING POST (A)
54	J36-3708	REAR CAP
57	H61-3901	OSCILLATING GEAR
58	G46-6001	OSCILLATING GEAR O-RING
67	J79-2301	BODY COVER
42+63	Z02-4207	PINION GEAR + DRIVE GEAR UNIT

ELT4000 Special Parts

Key No	Part No	Description
1	J79-3301	DRAG KNOB ASSY
6	J79-3201	SPOOL ASSY (2-5)
10	J02-1601	ROTOR NUT
12	H99-4324	ROTOR
14	H99-4401	KICK LEVER ASSY
16	H64-0601	ARM LEVER SHAFT
18	H64-0701	ARM LEVER SPRING
20	H99-4604	ARM LEVER SPRING COVER
30	H98-5302	BAIL ASSY
32	H64-0301	CLUTCH RING COLLAR
34	J02-1401	SEALED PLATE
35	J30-9101	ONEWAY CLUTCH
36	J02-1304	CLUTCH RING
39	J02-0801	PINION BEARING PLATE
40	G52-2802	PINION BALL BEARING (A)
41	371-2824	PINION BEARING WASHER (A)
43	G57-2501	PINION BEARING SPRING WASHER (B)
44	G46-7106	PINION BALL BEARING (B)
45	J02-1001	BAIL KICK COLLAR
47	J79-2601	BDY ASSY
48	J02-0601	MAIN SHAFT
49	J08-4803	OSCILLATING POST (A)
51	J02-0501	STOPPER CAM
54	J36-2106	REAR CAP
56	G64-4201	OSCILLATING GEAR WASHER
57	G64-4302	OSCILLATING GEAR
58	B85-3101	OSCILLATING GEAR O-RING
59	G52-2103	OSCILLATING GEAR BALL BEARING WASHER
60	G46-7105	OSCILLATING GEAR BALL BEARING
61	H27-2202	OSCILLATING GEAR SCREW
62	G64-5301	DRIVE GEAR O-RING
64	373-7808	DRIVE GEAR BALL BEARING WASHER
65	G52-3405	DRIVE GEAR BALL BEARING (A)
67	J79-2901	BODY COVER
68	J79-3001	HANDLE ASSY
69	B86-1704	DRIVE GEAR BALL BEARING (B)
70	G52-5101	DRIVE GEAR BALL BEARING (B) RING
71	F72-1202	HANDLE COLLAR
72	160-8101	HANDLE WASHER
73	H64-1804	HANDLE SCREW
42+63	Z02-4208	PINION GEAR + DRIVE GEAR UNIT