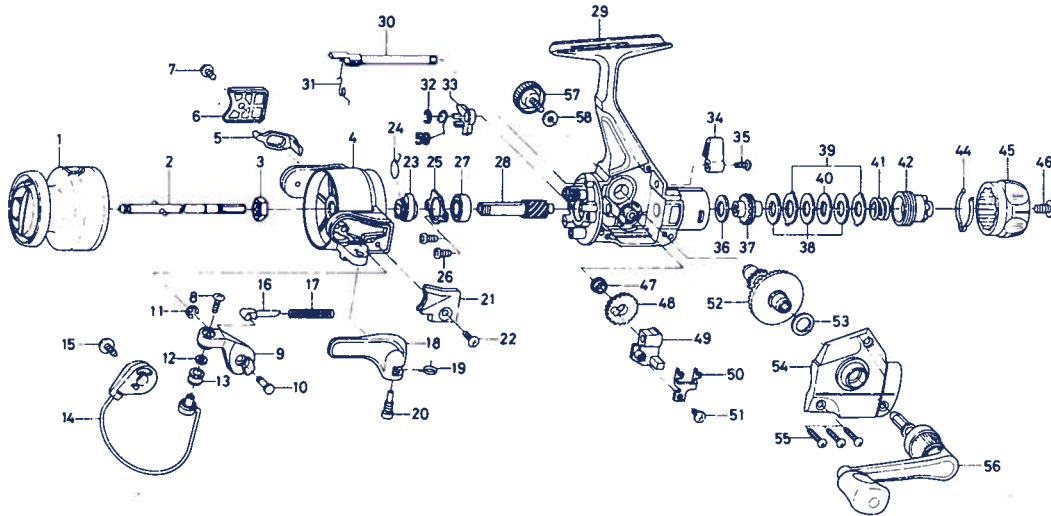


## SPINNING REEL — EL1355H



### Key

Key No.	Part No.	Part Name
1	E41-5301	Spool assembly
2	E40-7801	Main shaft assembly
3	341-9201	Rotor nut
4	E41-5001	Rotor
5	B83-5701	Bail trip lever
6	E40-7501	Bail trip cover
7	E36-4201	Bail trip cover screw
8	B67-9303	Line roller screw
9	F03-6901	Bail arm
10	F03-7101	Bail arm screw
11	320-5901	Bail arm screw retainer
12	B55-4301	Line roller washer
13	L01-8201	Line roller
14	E41-5101	Bail
15	E00-7102	Bail trip cam screw
16	E21-3501	Bail spring shaft
17	E21-3401	Bail spring
18	F03-7001	Trigger lever
19	E36-9901	Trigger spring
20	E37-0001	Trigger screw
21	E40-7101	Bail spring cover
22	E36-4201	Bail spring cover screw
23	E40-6101	Anti-reverse ratchet
24	E40-6201	Anti-reverse pawl spring
25	B45-6402	Bearing retainer
26	B83-4402	Bearing retainer screw
27	634-1301	Ball bearing
28	E40-6001	Pinion gear
29	E40-5502	Body assembly

### Key

Key No.	Part No.	Part Name
30	E40-5801	Anti-reverse cam
31	F05-5901	Anti-reverse cam spring
32	320-5901	Anti-reverse pawl retainer
33	E40-6301	Anti-reverse pawl
34	E40-5901	Anti-reverse lever
35	B64-6602	Anti-reverse lever screw
36	B48-9902	Drag washer A
37	B83-3602	Click gear
38	B49-0202	Drag washer B
39	B49-0102	Eared washer
40	B49-0301	Key washer
41	E41-5601	Drag coil spring
42	E43-5501	Drag screw
44	B74-7702	Drag washer spring
45	E40-6401	Drag knob
46	352-1105	Drag knob screw
47	E29-9401	Oscillating gear collar
48	B74-2503	Oscillating gear
49	E40-7601	Oscillating slider
50	E41-3701	Oscillating slider retainer
51	351-1804	Drag lever lock washer
52	E40-7701	Drive gear
53	373-7808	Drive gear washer
54	E40-8002	Side cover
55	B83-5001	Side cover screw
56	E41-4301	Handle assembly
57	B92-5003	Handle lock screw
58	E20-8901	Handle lock washer
59	F07-1901	Anti-reverse pawl spring