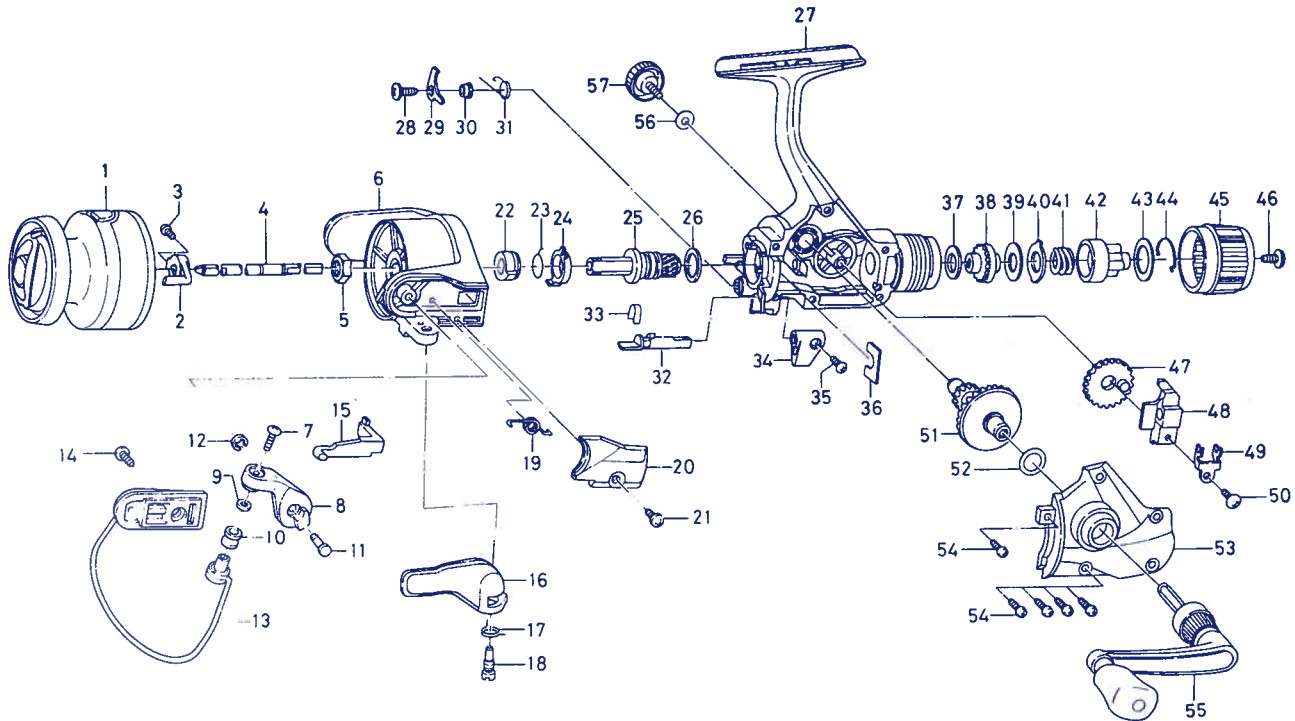


SPINNING REEL EG1355X



Key NO.	Parts No.	Parts Name	Key NO.	Parts No.	Parts Name
1	F19-7901	Spool assembly	31	L00-1501	Anti-reverse pawl spring B
2	F19-6702	Spool metal	32	F19-5101	Anti-reverse cam
3	351-1001	Spool metal screw	33	F19-5201	Anti-reverse cam spring
4	F19-5502	Main shaft	34	F19-4901	Anti-reverse lever
5	341-9201	Rotor nut	35	B64-6601	Anti-reverse lever screw
6	F11-1201	Rotor	36	B60-3801	Pinion retainer
7	B67-9304	Line roller screw	37	B48-9902	Drag washer A
8	E49-4101	Bail arm	38	F19-7601	Click gear
9	B55-4301	Line roller washer	39	B76-0502	Drag washer B
10	L01-8201	Line roller	40	B49-0102	Eared washer
11	E49-3501	Bail arm screw	41	F06-2301	Drag coil spring
12	320-5901	Bail arm screw retainer	42	F19-5901	Drag collar
13	E52-8901	Bail assembly	43	L11-0001	Drag collar washer
14	L01-1701	Bail trip cam screw	44	L08-5601	Drag washer spring
15	E45-1601	Bail trip lever	45	F19-9501	Drag knob
16	F11-0601	Trigger lever	46	E03-7802	Drag knob screw
17	E36-9901	Trigger spring	47	E45-1302	Oscillating gear
18	E37-0001	Trigger screw	48	F19-5401	Oscillating slider
19	F22-2601	Bail spring	49	F19-5601	Oscillating slider retainer
20	E49-4201	Bail spring cover	50	350-8912	Oscillating slider screw
21	E36-4201	Bail spring cover screw	51	F08-4801	Drive gear
22	E49-2401	Anti-reverse ratchet	52	373-7800	Drive gear washer
23	F19-6301	Anti-reverse pawl spring A	53	F19-7503	Side cover
24	F19-6201	Spring holder	54	E15-8602	Side cover screw
25	E48-4601	Pinion gear	55	E49-3801	Handle assembly
26	372-7603	Pinion washer	56	B92-4902	Handle lock washer
27	F19-7404	Body assembly	57	B92-5001	Handle lock screw
28	L00-1801	Anti-reverse pawl screw	58	E29-9401	Oscillating gear collar
29	F19-5301	Anti-reverse pawl			
30	L01-4302	Anti-reverse pawl collar			