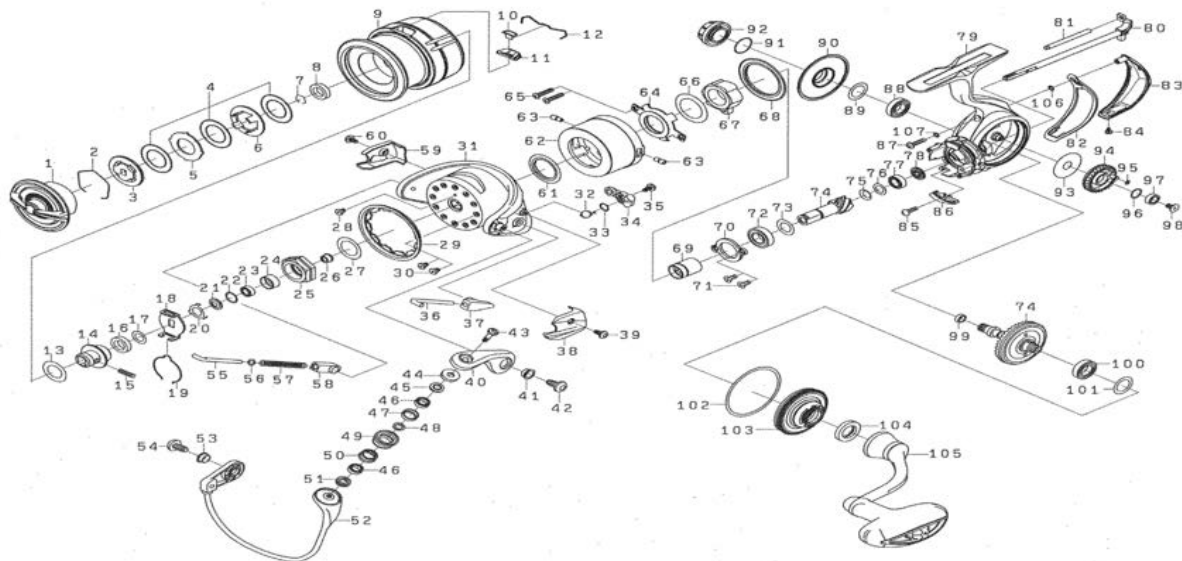


# DAWA

## SPINNING REEL

# CERTATELT2500-XH/3000-CXH

\*Please order by parts number, not key number.



Key No	Part No	Description
1	J77-5201	DRAG KNOB ASSY
2	J55-6701	DRAG RING
3	J55-6601	DRAG RATCHET
4	J67-9101	ATD DRAG WASHER(LT3-3pcs)
5	J56-1201	DRAG DISC WASHER
6	J55-6501	DRAG RIP WASHER
7	B35-8702	SPOOL COLLAR RING
8	J54-6701	SPOOL COLLAR
2~12	J87-9401	SPOOL ASSY.(ATD)
10	J55-8001	LINE STOPPER
11	J55-8101	LINE STOPPER PLATE
12	J31-4801	LINE STOPPER SPRING
13	J54-6300	SPOOL WASHER (A)
14	J54-9501	SPOOL METAL
15	J55-8201	SPOOL METAL SCREW
16	H62-4801	SPOOL METAL COLLAR
17	J60-2201	SPOOL WASHER (B)
18	M02-1401	CLICK HOLDER
19	H41-6101	CLICK REEF SPRING
20	G47-1501	ROTOR NUT PLATE
21	J72-9101	ROTOR NUT PACKING
22	375-5202	ROTOR NUT WASHER
23	H95-9602	ROTOR NUT BALL BEARING
24	J69-0201	ROTOR NUT BEARING COLLAR
25	J25-3001	ROTOR NUT
26	J80-8501	ROTOR NUT COLLAR
27	371-2836	ROTOR NUT WASHER
28	H02-2701	ROTOR NUT SCREW
29	J53-8101	ROTOR COVER
31	J53-6801	ROTOR
32	J43-5201	KICK LEVER SPRING
33	J33-9501	KICK LEVER WASHER
34	J53-6901	KICK LEVER ASSY
35	H41-7701	KICK LEVER SCREW
36	J25-4601	ARM LEVER SHAFT
37	J25-4701	ARM LEVER SHAFT COLLAR
38	J53-7101	ARM LEVER HOLDER COVER
39	J25-5201	ARM LEVER HOLDER COVER SCREW
40	J25-4801	ARM LEVER
41	J25-4901	ARM LEVER SCREW COLLAR
42	J25-5001	ARM LEVER SCREW
43	J25-7001	ROLLER CREW
44	J53-8001	ROLLER COLLAR
45	J53-8401	ROLLER MAG COLLAR( A )
46	J25-6702	ROLLER BALL BEARING( B )
47	J25-6601	ROLLER COLLAR(A)
48	J25-6301	ROLLER COLLAR(B)
49	J25-6501	LINE ROLLER
50	J25-6401	ROLLER COLLAR(A)
51	J53-7801	ROLLER MAG COLLAR( B )
52	J89-0701	BAIL ASSY
55	G47-1803	BAIL SHAFT
56	G68-5401	BAIL SHAFT WASHER
57	G68-5301	BAIL SHAFT SPRING
58	G47-1601	BAIL SHAFT SPRING COLLAR
59	J53-7701	BAIL HOLDER COVER
61	J55-4901	MAGSEALED CAP PACKING
62	J77-4701	MAGSEALED CAP
63	J78-2101	MAGSEALED CAP SCREW

Key No	Part No	Description
64	J55-3802	MAGSEALED PLATE
65	H84-2807	MAGSEALED PLATE SCREW
66	H50-2200	ONEWAY CLUCH WASHER
67	H41-2602	ONEWAY CLUCH
68	J55-3701	STOPPER LEVER PACKING(B)
69	J77-4801	CLUCH RING
70	J55-2102	PINION BEARING PLATE
71	J55-2202	PINION BEARING PLATE SCREW
72	G27-9602	PINION BALL BEARING( A )
73	375-8500	PINION BEARING( A ) WASHER
74	202-4670	PINION-DRIVE GEAR SET
75	H81-4900	PINION BEARING( B ) SPRING WASHER
76	E09-6500	PINION BEARING( B ) WASHER
77	G53-8007	PINION BALL BEARING( B )
78	J55-2001	PINION BEARING( B ) COLLAR
79	J77-3302	BODY ASSY
80	J83-2701	MAIN SHAFT
81	J77-4301	OSCILLATING POST
82	J77-4401	REAR CAP PACKING
83	J77-4501	REAR CAP
84	J77-4601	REAR CAP SCREW (B)
85	H15-8201	BAIL KICK COLLAR SCREW
86	J55-3501	BAIL KICK COLLAR
87	J55-3603	REAR CAP SCREW (A)
88	G81-8902	DRIVE BALL BEARING( A )
89	J55-5501	DRIVE BEARING( A ) WASHER
90	J77-4102	ENJINE PLATE( R )
91	G39-9702	HANDLE CAP O-RING
92	J55-5901	HANDLE CAP
93	G61-0104	OSCILLATING GEAR WASHER
94	J55-1501	OSCILLATING GEAR
95	G68-3301	OSCILLATING GEAR O-RING
96	H12-9200	OSCILLATING GEAR WASHER
97	G68-6904	OSCILLATING GEAR BALL BEARING
98	G94-0403	OSCILLATING GEAR SCREW
99	J55-2701	DRIVE GEAR RING
100	H73-9701	DRIVE BALL BEARING( B )
101	G61-3400	DRIVE BEARING( B ) WASHER
102	J55-3001	ENJINE PLATE PACKING)
103	J77-4205	ENJINE PLATE( L )
104	H86-6201	HANDLE PACKING
105	J77-5301	HANDLE ASSY
106	G31-5302	REAR CAP SCREW WASHER(A)
107	G31-5301	REAR CAP SCREW WASHER(B)

### CERTATELT3000-CXH Special Parts

Key No	Part No	Description
2~12	J77-4901	SPOOL ASSY.(ATD)
29	J25-7101	ROTOR COVER
31	J25-4301	ROTOR
34	J25-4401	KICK LEVER ASSY
38	J25-5103	ARM LEVER HOLDER COVER
52	J89-1101	BAIL ASSY
57	J25-5301	BAIL SHAFT SPRING
58	G47-1602	BAIL SHAFT SPRING COLLAR
59	J25-5903	BAIL HOLDER COVER
80	J77-3601	MAIN SHAFT
86	J57-1801	BAIL KICK COLLAR
94	J60-1701	OSCILLATING GEAR