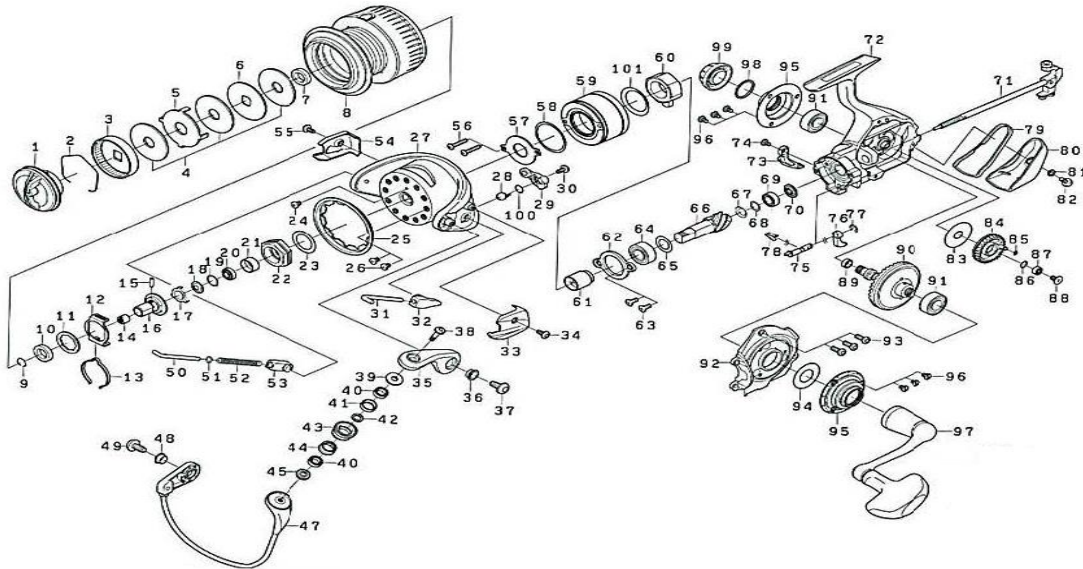


DAWA

SPINNING REEL

CERTATE 2510PE-H

Please order by parts number, not key number
 Veuillez indiquer le numéro de la pièce (Non "Key" No.)



Key No.	Part No.	Part Name	Key No.	Part No.	Part Name
1	J40-4701	DRAG KNOB	52	J25-5301	SPRING
2	F71-0001	DRAG WASHER RET	53	G47-1602	BAIL SPRING HOLDER
3	F89-5304	DRAG KNOB CLICK PLT	54	J25-5901	SIDE COVER (B)
4	H80-6501	DRAG WASHER	55	J25-5201	SCREW
5	F63-5201	EARED WASHER	56	H41-3201	SCREW
6	F63-5101	KEY WASHER	57	H53-2602	MAGNET HOLDER
7	H41-6301	DRAG COLLAR	58	H41-3001	O-RING
8	J29-3901	SPOOL ASSEMBLY	59	H51-9309	COVER
9	G47-2401	BEARING RETAINER	60	H41-2601	ROLLR CLUTCH
10	H41-6301	DRAG COLLAR	61	H41-2501	SPACING SLEEVE
11	H80-6301	WASHER	62	H73-9191	BEARING RET
12	H41-6001	CLICK HOLDER	63	E13-4501	SCREW
13	H41-6101	CLICK LEAF SPRING	64	G53-5105	BALL BEARING
14	J18-0801	SPOOL METAL NUT	65	H41-1401	WASHER
15	G37-5001	PIN	66+90	Z02-2470	PINION+DRIVE GEAR UNIT
16	H41-5901	SPOOL METAL	67	H41-1301	SPRING WASHER
17	G47-1501	BEARING RET	68	E09-6501	WASHER
18	H41-5701	ROTOR NUT PACKING	69	G53-8007	BALL BEARING
19	375-5201	WASHER	70	H41-1201	COLLAR
20	J25-3201	BALL BEARING	71	J25-2501	MAIN SHAFT
21	J25-3101	COLLAR	72	J25-2401	BODY
22	J25-3001	ROTOR NUT	73	H41-2201	BAIL TRIP PLT
23	371-2824	WASHER	74	H45-5406	SCREW
24	H02-2701	SCREW	75	H41-0001	A/R CAM
25	J25-7101	LINE GUARD RING	76	H41-0101	A/R LEVER
26	H02-2701	LINE GUARD SCREW	77	B33-9801	RET
27	J25-4301	ROTOR	78	H41-0201	A/R CAM SPRING
28	H41-3601	BAIL TRIP LEVER SPRING	79	H41-3301	PACKING
29	J25-4401	BAIL TRIP LEVER	80	H41-3401	REAR COVER
30	H41-7701	SCREW B	81	H35-2801	WASHER
31	J25-4601	SHAFT	82	H51-2401	SCREW
32	J25-4701	BAIL SPRING HOLDER	83	H60-7901	WASHER
33	J25-5101	SIDE COVER (A)	84	H41-0401	OSC GEAR
34	J25-5201	SCREW	85	G68-3301	O-RING
35	J25-4801	BAIL AIRM	86	H12-9201	WASHER
36	J25-4901	COLLAR	87	G46-9002	BALL BEARING
37	J25-5001	BAIL ARM SCREW	88	G94-0402	SCREW
38	J25-7001	SCREW	89	H45-5601	RING
39	J25-6801	MAGNET ASSEMBLY (A)	91	J03-0301	BALL BEARING (MS)
40	J25-6701	BALL BEARING	92	H41-2308	SIDE COVER
41	J25-6601	COLLAR	93	H43-1001	SCREW
42	J25-6301	COLLAR	94	H41-2401	WASHER
43	J25-6501	LINE ROLLER	95	J25-2003	BODY COVER (A)
44	J25-6401	COLLAR	96	H74-0302	SCREW
45	J25-6001	MAGNET ASSEMBLY (B)	97	J25-3401	HANDLE ASSEMBLY
47	J25-5401	BAIL ASSEMBLY	98	G39-9702	O-RING
48	J25-4901	COLLAR	99	H41-7201	HANDLE SCREW CAP
49	J25-5001	BAIL ARM SCREW	100	J33-9500	WASHER
50	G47-1803	BAIL SPRING SHAFT	100	J33-9501	WASHER (THICKNESS 0.05)
51	G68-5401	BAIL SPRING WASHER	100	J33-9502	WASHER (THICKNESS 0.1)