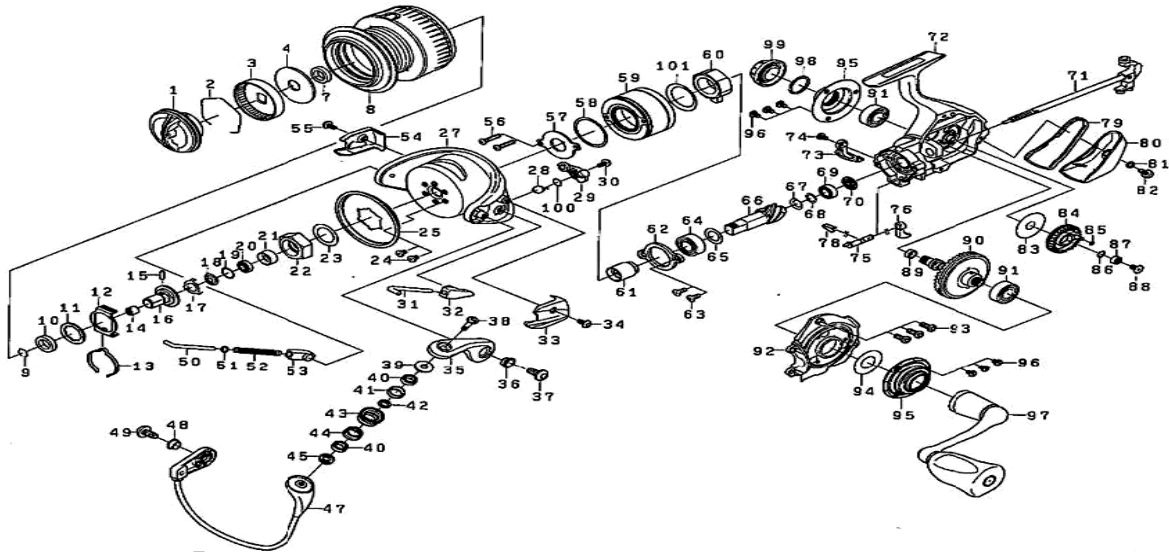


DAWA

SPINNING REEL

CERTATE1003

Please order by parts number, not key number
 Veuillez indiquer le numéro de la pièce (Non "Key" No.)



Key No.	Part No.	Part Name	Key No.	Part No.	Part Name
1	J35-3601	DRAG KNOB	53	G47-1601	BAIL SPRING HOLDER
2	F74-2501	DRAG WASHER RET	54	J28-7301	BAIL SPRING COVER
3	F90-8701	DRAG KNOB CLICK PLT	55	J25-5201	SCREW
4	J39-8201	ATD-DRAG WASHER KIT	56	H41-3201	SCREW
7	H41-6301	DRAG COLLAR	57	H53-2602	MAGNET HOLDER
8	J31-8201	SPOOL ASSEMBLY	58	H41-3001	O RING
9	G47-2401	BEARING RET	59	H51-9309	COVER
10	H41-6301	DRAG COLLAR	60	H41-2601	ROLLER CLUTCH
11	H80-6300	WASHER	61	H41-2501	SPACING SLEEVE
12	H41-6001	CLICK HOLDER	62	H44-2201	BEARING RET
13	H41-6101	CLICK LEAF SPRING	63	E13-4509	SCREW
14	J18-0801	SPOOL METAL NUT	64	G46-7305	BALL BEARING
15	G37-5001	PIN	65	H41-1401	WASHER
16	H41-5901	SPOOL METAL	66 + 90	Z02-2672	PINION + DIVE GEAR UNIT
17	G47-1501	BEARING RET	67	H41-1301	SPRING WASHER
18	H41-5701	ROTOR NUT PACKING	68	E09-6501	WASHER
19	375-5201	WASHER	69	G53-8007	BALL BEARING
20	J25-3201	BALL BEARING	70	H41-1201	COLLAR
21	J30-5301	COLLAR	71	J31-7401	MAIN SHAFT
22	J30-5201	NUT	72	J31-7301	BODY
23	372-7601	WASHER	73	H44-2101	BAIL TRIP PLT
24	H02-2701	SCREW	74	H45-5407	SCREW
25	J28-7401	COLLAR	75	H41-0002	A/R CAM
27	J28-6701	ROTOR	76	H41-0106	A/R LEVER
28	H44-3301	BAIL TRIP LEVER SPRING	78	H41-0201	A/R CAM SPRING
29	J30-4701	KICK LEVER	79	H44-3001	PACKING
30	H41-7701	SCREW	80	H44-3101	REAR COVER
31	J25-4601	SHAFT	81	H35-2801	WASHER
32	J25-4701	BAIL SPRING HOLDER	82	H51-2401	SCREW
33	J28-7001	BAIL SPRING COVER	83	H60-7901	WASHER
34	J25-5201	BAIL SPRING COVER SCREW	84	Z01-9605	OSC GEAR
35	J25-4801	BAIL ARM	85	G89-8301	O RING
36	J25-4901	COLLAR	86	H12-9201	WASHER
37	J25-5001	BAIL ARM SCREW	87	G46-9002	BALL BEARING
38	J25-7001	SCREW	88	G94-0402	SCREW
39	J25-6801	MAGNETIC WASHER	89	G73-6201	O RING
40	J25-6701	BALL BEARING	91	J03-0301	BALL BEARING
41	J25-6401	COLLAR	92	H44-2903	SIDE COVER
42	J25-6301	COLLAR	93	H43-1001	SCREW
43	J25-6501	LINE ROLLER	94	B27-0703	DRAG SCREW WASHER
44	J25-6201	COLLAR	95	J31-8002	BODY COVER
45	J25-6001	MAGNETIC WASHER	96	H74-0302	SCREW
47	J30-4901	BAIL ASSEMBLY	97	J31-8101	HANDLE ASSEMBLY
48	J25-4901	COLLAR	98	G39-9702	O RING
49	J25-5001	BAIL ARM SCREW	99	H41-7201	HANDLE SCREW CAP
50	G47-1803	BAIL SPRING SHAFT	100	J33-9500	WASHER
51	G68-5401	BAIL SPRING WASHER	100	J33-9501	WASHER (THICKNESS 0.05)
52	J30-4801	SPRING	100	J33-9502	WASHER (THICKNESS 0.1)