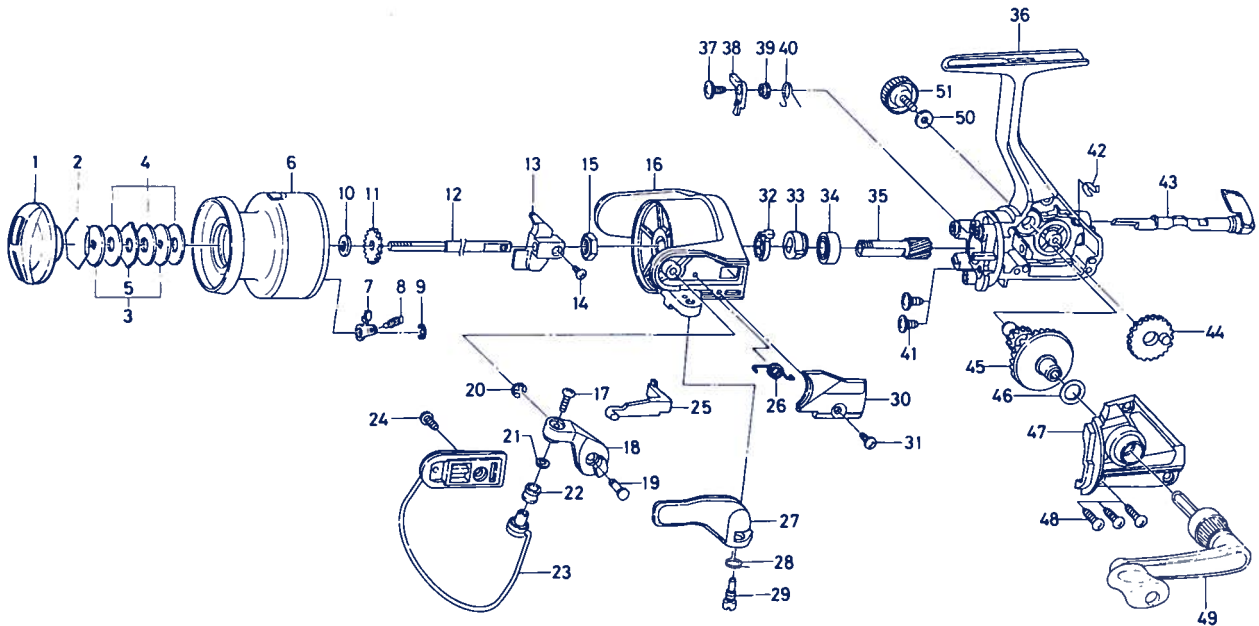


## SPINNING REEL — BW705X



### Key No. 2-9

E51-5901 Spool assembly

#### Key No.

Key No.	Part No.	Part Name
1	E49-6902	Drag knob
2	171-7701	Drag washer retainer
3	E46-7201	Key washer
4	E13-6001	Drag washer
5	373-3603	Eared washer
6	E51-6001	Spool assembly
7	B07-5304	Click pawl
8	E40-3101	Click spring
9	320-5901	Click retainer
10	E46-7101	Spool washer
11	270-6501	Click gear
12	E49-8401	Main shaft
13	F12-2301	Oscillating slider
14	351-0315	Oscillating slider screw
15	341-9201	Rotor nut
16	E50-0902	Rotor
17	B67-9304	Line roller screw
18	E49-6701	Bail arm
19	E49-3501	Bail arm screw
20	320-5901	Bail arm screw retainer
21	B55-4301	Line roller washer
22	L01-8201	Line roller
23	E50-1101	Bail assembly
24	L01-1702	Bail trip cam screw
25	E49-6401	Bail trip lever
26	E49-6801	Bail spring

#### Key

Key No.	Part No.	Part Name
27	E37-3602	Trigger lever
28	E36-9901	Trigger spring
29	E37-0001	Trigger screw
30	E49-6301	Bail spring cover
31	E36-4202	Bail spring cover screw
32	F12-2101	Anti-reverse pawl spring A
33	E49-8501	Anti-reverse ratchet
34	634-1301	Ball bearing
35	F12-1601	Pinion gear
36	F15-6202	Body assembly
37	F12-5701	Anti-reverse pawl screw
38	F12-1901	Anti-reverse pawl
39	F12-3501	Anti-reverse pawl collar
40	F12-3401	Anti-reverse pawl spring B
41	E03-7801	Bearing retainer screw
42	F12-2001	Anti-reverse cam spring
43	F08-5104	Anti-reverse lever
44	F12-2201	Oscillating gear
45	F12-1501	Drive gear
46	375-8502	Drive gear washer
47	E49-9003	Side cover
48	E15-8602	Side cover screw
49	E49-7401	Handle assembly
50	F02-0201	Handle lock washer
51	B92-5004	Handle lock screw