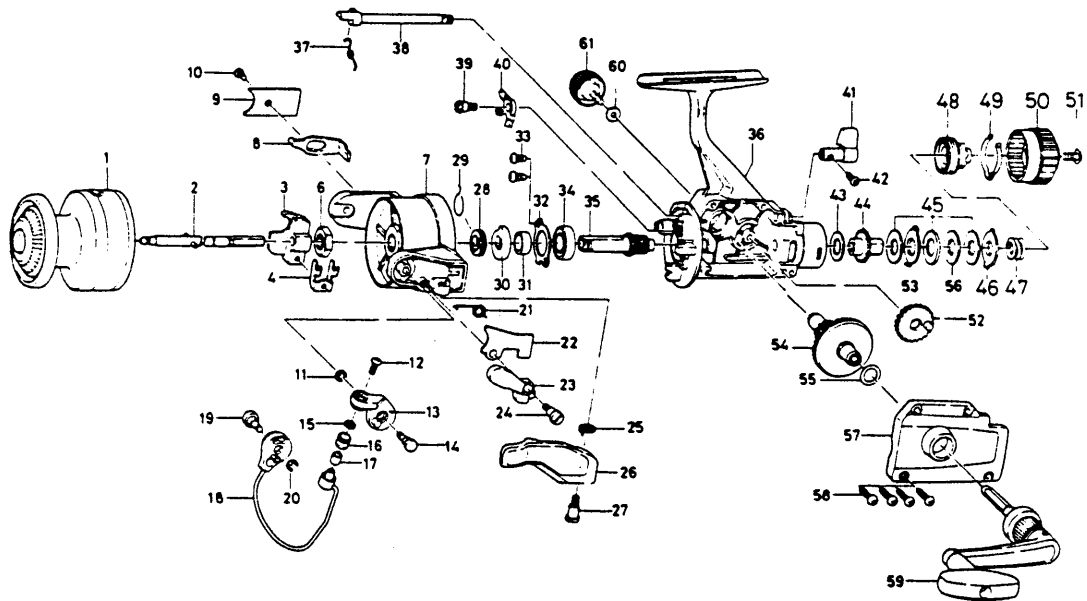


## SPINNING REEL — BW1655/2055



### Key

| No. | Part No. | Part Name                    |
|-----|----------|------------------------------|
| 1   | K10-8503 | Spool                        |
| 2   | B83-9801 | Main shaft                   |
| 3   | E08-7801 | Oscillating slider           |
| 4   | B93-7202 | Oscillating slider retainer  |
| 6   | B10-5701 | Rotor nut                    |
| 7   | B82-1904 | Rotor                        |
| 8   | B83-6701 | Bail trip lever              |
| 9   | B76-9701 | Bail trip cover              |
| 10  | B83-4402 | Bail trip cover screw        |
| 11  | 320-5901 | Bail arm screw retainer      |
| 12  | B67-9302 | Line roller screw            |
| 13  | B67-4601 | Bail arm                     |
| 14  | B83-3801 | Bail arm screw               |
| 15  | B55-4301 | Line roller washer A         |
| 16  | 250-3921 | Line roller                  |
| 17  | B45-1501 | Line roller bushing          |
| 18  | K10-7702 | Bail                         |
| 19  | B83-4202 | Bail trip cam screw          |
| 20  | 320-5901 | Bail trip cam screw retainer |
| 21  | K04-9901 | Bail spring                  |
| 22  | B83-6402 | Bail spring cover            |
| 23  | B76-9301 | Trigger plate                |
| 24  | K03-7302 | Bail spring cover screw      |
| 25  | B67-5201 | Trigger spring               |
| 26  | B67-5107 | Trigger lever                |
| 27  | K03-7302 | Trigger screw                |
| 28  | B68-6401 | Spring holder                |
| 29  | 145-0902 | Anti-reverse pawl spring     |
| 30  | B67-4301 | Anti-reverse ratchet         |
| 31  | K03-1701 | Spacing sleeve               |
| 32  | B35-6301 | Bearing retainer             |
| 33  | B83-4402 | Bearing retainer screw       |
| 34  | B54-6001 | Bail bearing                 |
| 35  | K10-5502 | Pinion gear                  |
| 36  | K09-8201 | Body                         |

### Key

| No. | Part No. | Part Name                |
|-----|----------|--------------------------|
| 37  | 144-0321 | Anti-reverse cam spring  |
| 38  | B83-6001 | Anti-reverse cam         |
| 39  | K03-2901 | Anti-reverse pawl screw  |
| 40  | K02-3301 | Anti-reverse pawl        |
| 41  | E08-6101 | Anti-reverse lever       |
| 42  | B12-8201 | Anti-reverse lever screw |
| 43  | B46-9505 | Drag washer A            |
| 44  | B76-9803 | Click gear               |
| 45  | E14-3301 | Drag washer B            |
| 46  | B83-9501 | Eared washer A           |
| 47  | K02-6701 | Drag coil spring         |
| 48  | B77-0004 | Drag screw               |
| 49  | B77-0301 | Drag washer spring       |
| 50  | K05-0204 | Drag knob                |
| 51  | 352-1107 | Drag knob spring screw   |
| 52  | B74-3701 | Oscillating gear         |
| 53  | K05-0301 | Eared washer B           |
| 54  | K10-5601 | Drive gear               |
| 55  | 373-7808 | Drive gear washer        |
| 56  | E02-4401 | Key washer               |
| 57  | K05-2407 | Side cover               |
| 58  | B83-5002 | Side cover screw         |
| 59  | K07-5801 | Handle                   |
| 60  | B92-4902 | Handle lock washer       |
| 61  | B92-5001 | Handle lock screw        |

### BW2055 Special Parts:

|    |          |                 |
|----|----------|-----------------|
| 1  | K10-8603 | Spool           |
| 7  | B82-2103 | Rotor           |
| 8  | B83-7301 | Bail trip lever |
| 18 | K10-7902 | Bail            |
| 36 | K09-8202 | Body            |
| 57 | K09-8402 | Side cover      |
| 59 | E00-2802 | Handle          |