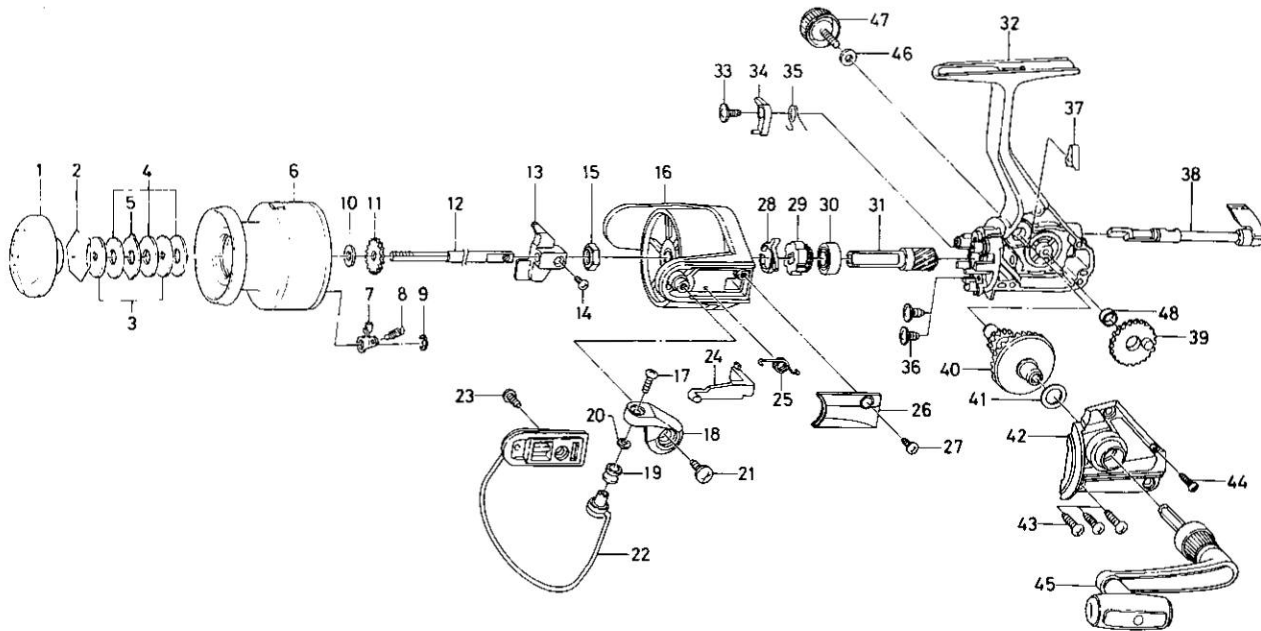


# SPINNING REEL — BW1600X / 2000X



Key No. 2-6  
E51-6101 Spool assembly

### Key

Key No.	Part No.	Part Name
1	E48-5803	Drag knob
2	171-7701	Drag washer retainer
3	F09-4901	Key washer
4	E13-6003	Drag washer
5	373-3603	Eared washer
6	E51-6201	Spool assembly
7	B07-5304	Click pawl
8	E40-3101	Click spring
9	320-5901	Click retainer
10	F09-4701	Spool washer
11	E46-2701	Click gear
12	E48-5301	Main shaft
13	F09-1301	Oscillating slider
14	352-1502	Oscillating slider screw
15	340-6602	Rotor nut
16	F10-6601	Rotor
17	B67-9304	Line roller screw
18	E45-1701	Bail arm
19	L01-8201	Line roller
20	B55-4301	Line roller washer
21	E00-7101	Bail arm screw
22	F10-6701	Bail assembly
23	L01-1702	Bail trip cam screw
24	E46-2101	Bail trip lever
25	F12-8901	Bail spring
26	E46-2201	Bail spring cover
27	E36-4202	Bail spring cover screw
28	E46-2001	Anti-reverse pawl spring A
29	E46-1901	Anti-reverse ratchet

### Key

Key No.	Part No.	Part Name
30	L03-6502	Ball bearing
31	E46-1101	Pinion gear
32	F10-6203	Body assembly
33	E00-7101	Anti-reverse pawl screw
34	E46-1301	Anti-reverse pawl
35	E46-1201	Anti-reverse pawl spring B
36	E03-7801	Bearing retainer screw
37	E32-7801	Anti-reverse cam spring
38	F08-5105	Anti-reverse lever
39	E46-1501	Oscillating gear
40	E46-1701	Drive gear
41	373-7808	Drive gear washer
42	F10-6403	Side cover
43	B83-5002	Side cover screw A
44	E15-8602	Side cover screw B
45	L01-1102	Handle assembly
46	B92-4902	Handle lock washer
47	B92-5001	Handle lock screw
48	F13-1601	Oscillating gear collar

### BW2000X Special Parts:

2-9	E51-6301	Spool assembly
6	E51-6401	Spool assembly
16	F10-7201	Rotor
22	F10-6801	Bail assembly
24	E46-3101	Bail trip lever
32	F10-6205	Body assembly
42	F10-6405	Side cover