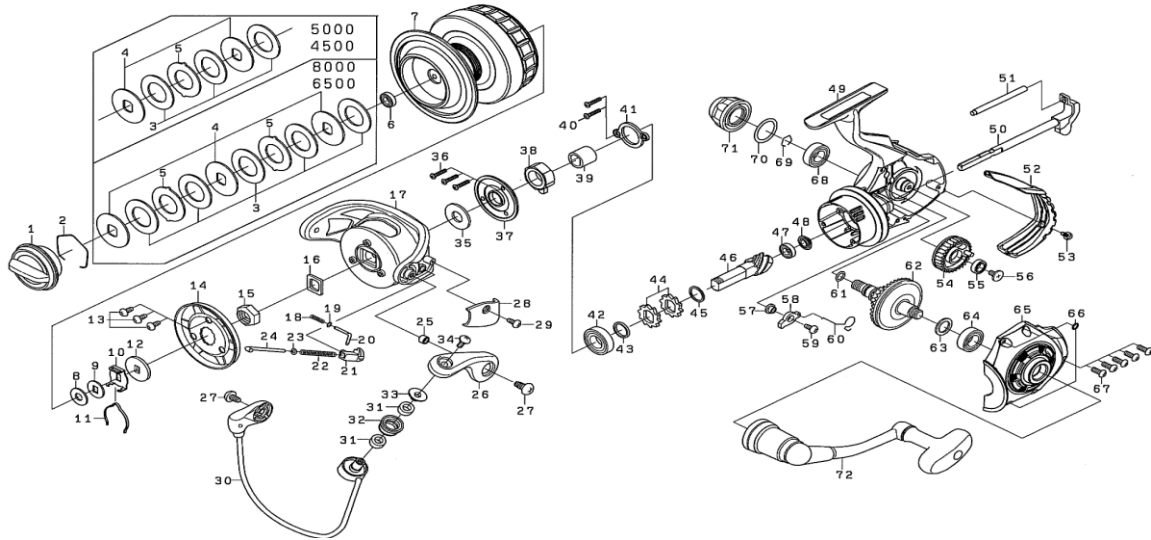


DYMA

SPINNING REEL

BG4500-8000

Please order by parts number, not key number
 Veuillez indiquer le numéro de la pièce (Non "Key" No.)



Key No.	Parts Name	BG4500 Part No.	BG5000 Part No.	BG6500 Part No.	BG8000 Part No.
1	DRAG KNOB	J31-2101	J31-2101	J31-2101	J31-2101
2	DRAG WASHER RET	F88-4001	F88-4001	F88-4001	F88-4001
3	DRAG WASHER	J31-3601	J31-3601	J31-3601	J31-3601
4	KEY WASHER	H17-5101	H17-5101	H17-5101	H17-5101
5	EARED WASHER	G70-0701	G60-0701	G70-0701	G70-0701
6	BALL BEARING	B35-8607	B35-8607	B35-8607	B35-8607
2-7	SPOOL ASSEMBLY	J34-4801	J32-2801	J33-8601	J31-1701
8	WASHER	F05-0100	F05-0100	F05-0100	F05-0100
9	WASHER	F05-0002	F05-0002	F05-0002	F05-0002
10	CLICK LEAF SPRING HOLDER	H30-9501	H30-9501	H32-3701	H32-3701
11	SPRING	B74-7701	B74-7701	G34-1401	G34-1401
12	WASHER	F04-9901	F04-9901	F04-9901	F04-9901
13	SCREW	G27-0801	G27-0801	G27-0801	G27-0801
14	LINE GUARD PLATE	J32-2501	J32-2501	J31-0601	J31-0601
15	ROTOR NUT	J32-2401	J32-2401	J31-0501	J31-0501
16	ROTOR NUT PLT	G39-2202	G39-2202	J31-6501	J31-6501
17	ROTOR	J32-1601	J32-1601	J30-9401	J30-9401
18	BAIL SPRING (A)	H50-3401	H50-3401	H78-2801	H78-2801
19	BAIL SPRING WASHER	G68-5401	G68-5401	E27-2501	E27-2501
20	BAIL SPRING SHAFT	H50-3301	H50-3301	H68-4601	H68-4601
21	BAIL SPRING HOLDER	J32-2001	J32-2001	H68-4701	H68-4701
22	BAIL SPRING (B)	J32-1901	J32-1901	G41-8101	G41-8101
23	WASHER E	J32-1801	J32-1801	J30-9601	J30-9601
24	BAIL SPRING SHAFT	J32-1701	J32-1701	J30-9501	J30-9501
25	COLLAR	H94-5501	H94-5501	H94-5501	H94-5501
26	BAIL ARM	J30-9701	J30-9701	J30-9701	J30-9701
27	BAIL ARM SCREW	G45-5601	G45-5601	G45-5601	G45-5601
28	COVER (A)	J32-2101	J32-2101	J30-9801	J30-9801
29	SCREW	G27-0801	G27-0801	G27-0801	G27-0801
30	BAIL ASSEMBLY	J32-3301	J32-3301	J30-9901	J30-9901
31	COLLAR C	J41-6001	J41-6001	J41-6001	J41-6001
32	LINE ROLLER	H24-6103	H24-6103	H24-6103	H24-6103
33	COLLAR (D)	J31-0401	J31-0401	J31-0401	J31-0401
34	SCREW	F60-8901	F60-8901	F60-8901	F60-8901
35	WASHER (F)	J30-9301	J30-9301	J30-9301	J30-9301
36	SCREW	J00-1601	J00-1601	J00-1601	J00-1601
37	COVER (B)	J32-3901	J32-3901	J30-9201	J30-9201
38	ROLLER CLUTCH	J30-9101	J30-9101	J30-9101	J30-9101
39	SPACING SLEEVE	J30-9001	J30-9001	J30-9001	J30-9001
40	SCREW	J00-1602	J00-1602	J00-1601	J00-1601
41	BEARING RETAINER (A)	J30-8401	J30-8401	J30-8401	J30-8401
42	BALL BEARING	G42-6301	G42-6301	G42-6301	G42-6301
43	WASHER	G61-3404	G61-3404	H24-3901	H24-3901
44	A/R RATCHET	E26-2701	E26-2701	E26-2701	E26-2701
45	WASHER	G61-3404	G61-3404	E33-9701	E33-9701
47	BALL BEARING	G52-2702	G52-2702	B86-1704	B86-1704
48	COLLAR	J32-0901	J32-0901	J30-8101	J30-8101
49	BODY	J31-9801	J31-9801	J30-7001	J30-7001
50	MAIN SHAFT	J32-0501	J32-0501	J30-7701	J30-7701
51	STABILIZER BAR	J32-0801	J32-0801	J30-8001	J30-8001
52	REAR COVER	J32-1501	J32-1501	J30-8901	J30-8901
53	SCREW	J00-1801	J00-1801	J00-1801	J00-1801
54	OSC GEAR	J32-0401	J32-0401	J30-7601	J30-7601
55	BALL BEARING	G46-7105	G46-7105	B86-1704	B86-1704
56	SCREW	H27-2201	H27-2201	H34-7101	H34-7101
57	COLLAR	H24-3301	H24-3301	H24-3301	H24-3301
58	A/R PAWL	H24-3201	H24-3201	H33-9401	H33-9401
59	SCREW	351-6401	351-6401	351-6401	351-6401
60	SPRING	J30-8601	J30-8601	J30-8601	J30-8601
61	O-RING	J32-1201	J32-1201	J30-8501	J30-8501
46+62	PINION + DRIVE GEAR UNIT	Z02-3041	Z02-3041	Z02-2625	Z02-2625
63	DRIVE GEAR WASHER	371-2800	371-2800	371-2800	371-2800
64	BALL BEARING	G52-2802	G52-2802	G52-2802	G52-2802
65	SIDE COVER	J32-1301	J32-1301	J30-8701	J30-8701
66	WASHER (J)	J42-3501	J42-3501	J42-3501	J42-3501
67	SCREW	351-6416	351-6417	351-6417	351-6417
68	BALL BEARING	G52-2802	G52-2802	G52-2802	G52-2802
69	RETAINER	H04-7201	H04-7201	H04-7201	H04-7201
70	O-RING	J04-2501	J04-2501	J04-2501	J04-2501
71	HANDLE SCREW CAP	J39-4902	J39-4902	J39-4902	J39-4902
72	HANDLE ASSEMBLY	J41-6501	J41-6501	J41-6501	J41-6501