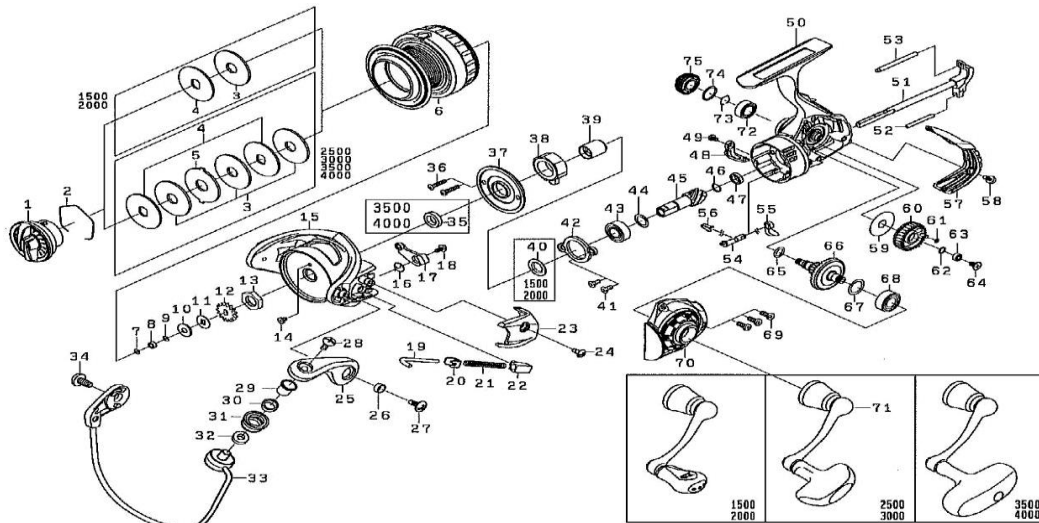


DAIWA

SPINNING REEL

BG1500-4000

Please order by parts number, not key number
 Veuillez indiquer le numéro de la pièce (Non "Key" No.)



Key No.	BG1500 Part No.	Part Name	BG2000 Part No.	BG2500 Part No.	BG3000 Part No.	BG3500 Part No.	BG4000 Part No.
1	J37-5201	DRAG KNOB	J37-5201	J35-6601	J35-6601	J36-2901	J36-2901
2	F37-3301	DRAG WASHER RET	F37-3301	F37-3301	F37-3301	F37-3301	F37-3301
3	J35-6501	DRAG WASHER	J35-6501	J35-6501	J35-6501	J35-6501	J35-6501
4	E46-7201	KEY WASHER	E46-7201	E46-7201	E46-7201	E46-7201	E46-7201
5	--	EARED WASHER	--	373-3606	373-3606	373-3606	373-3606
2~6	J36-4901	SPOOL ASSEMBLY	J36-4301	J35-6101	J36-3901	J36-4601	J36-2601
7	G21-3001	O RING	G21-3001	G21-3001	G21-3001	G21-3001	G21-3001
8	G46-9005	BALL BEARING	G46-9005	G46-9005	G46-9005	G46-9005	G46-9005
9	B41-1706	WASHER	B41-1706	B41-1706	B41-1706	B41-1706	B41-1706
10	E39-8000	WASHER	E39-8000	E39-8000	E39-8000	E39-8000	E39-8000
11	E46-7101	WASHER	E46-7101	E46-7101	E46-7101	E46-7101	E46-7101
12	G83-9301	CLICK GEAR	G83-9301	G83-9301	G83-9301	G83-9301	G83-9301
13	J00-1901	ROTOR NUT	J00-1901	J00-1901	J00-1901	J02-1601	J02-1601
14	H02-2701	SCREW	H02-2701	H02-2701	H02-2701	H02-2701	H02-2701
15	H97-4319	ROTOR	H97-4319	H96-0038	H98-6323	H99-4324	H99-4324
16	H44-3301	BAIL TRIP LEVER SPRING	H44-3301	H41-3601	H41-3601	H41-3601	H41-3601
17	H44-3401	BAIL TRIP LEVER	H44-3401	J03-8501	J07-2301	H99-4401	H99-4401
18	H41-7701	SCREW	H41-7701	H41-7701	H41-7701	H41-7701	H41-7701
19	H44-3601	BAIL SPRING SHAFT	H44-3601	H41-4101	H57-2001	H64-0601	H64-0601
20	H57-6101	BAIL SPRING PLT	H57-6101	H57-6101	H57-6101	H57-6101	H57-6101
21	H44-2401	BAIL SPRING	H44-2401	H54-5701	J08-9301	H64-0701	H64-0701
22	H41-4301	BAIL SPRING HOLDER	H41-4301	H41-4301	J08-9401	J08-9401	J08-9401
23	H97-4402	BAIL SPRING COVER	H97-4402	H96-0203	H98-6402	H99-4602	H99-4602
24	G27-0801	SCREW	G27-0801	G27-0801	G27-0801	G27-0801	G27-0801
25	H72-8912	BAIL ARM	H72-8912	H72-8912	H72-8912	H72-8912	H72-8912
26	H96-2401	COLLAR	H96-2401	H96-2401	H96-2401	H96-2401	H96-2401
27	G20-5001	SCREW	G20-5001	G20-5001	G20-5001	G20-5001	G20-5001
28	G19-5602	SCREW	G19-5601	G19-5602	G19-5602	G19-5602	G19-5602
29	G19-5501	COLLAR	G19-5501	G19-5501	G19-5501	G19-5501	G19-5501
30	G22-0701	COLLAR	G22-0701	G22-0701	G22-0701	G22-0701	G22-0701
31	J08-9902	LINE ROLLER	J08-9902	J08-9902	J08-9902	J08-9902	J08-9902
32	G87-4201	COLLAR	G87-4201	G87-4201	G87-4201	G87-4201	G87-4201
33	H98-4702	BAIL ASSEMBLY	J37-5101	H98-5002	H98-5302	H98-5302	H98-5302
34	G20-5001	SCREW	G20-5001	G20-5001	G20-5001	G20-5001	G20-5001
35	--	COLLAR	--	--	--	H64-0301	H64-0301
36	J00-1601	SCREW	J00-1601	J00-1601	J00-1601	J00-1601	J00-1601
37	J02-2701	COVER	J02-2701	J00-1501	J01-3401	J02-1401	J02-1401
38	H41-2601	ROLLER CLUTCH	H41-2601	H41-2601	H41-2601	J30-9101	J30-9101
39	J00-1402	SPACING SLEEVE	J00-1402	J00-1402	J00-1402	J02-1303	J02-1303
40	375-8501	WASHER	375-8501	J00-0901	J00-0901	J00-0901	J00-0901
41	J00-0901	SCREW	J00-0901	H44-2201	H41-1501	J02-0801	J02-0801
42	H44-2201	BEARING RETAINER	H44-2201	G46-7302	G53-5104	G52-2802	G52-2802
43	G46-7302	BALL BEARING	G46-7302	375-8500	371-2800	371-2800	371-2800
44	375-8500	WASHER	375-8500	375-8500	371-2800	371-2800	371-2800
45+66	Z02-3102	PINION+DRIVE GEAR UNIT	Z02-3102	Z02-3102	Z02-3105	Z02-3097	Z02-3097
46	H93-1701	SPRING WASHER	H93-1701	H93-1701	G57-2501	G57-2501	G57-2501
47	H95-9601	BALL BEARING	H95-9601	H95-9601	G46-7102	G46-7102	G46-7102
48	J02-2601	BAIL TRIP PLT	J02-2601	J00-1101	J00-1101	J02-1001	J02-1001
49	G94-0402	SCREW	G94-0402	G94-0402	G94-0402	G94-0402	G94-0402
50	J35-4901	BODY	J35-4901	J35-4901	J36-3001	J36-1401	J36-1401
51	J02-2402	MAIN SHAFT	J02-2402	J00-0702	J01-2802	J02-0602	J02-0602
52	J08-4801	STABILIZER BAR	J08-4801	J08-4801	J08-4802	J08-4803	J08-4803
53	H61-4301	STABILIZER BAR	H61-4301	H61-4301	H61-4301	H61-4301	H61-4301
54	H59-5501	A/R CAM	H59-5501	H59-5501	H59-5501	J02-0501	J02-0501
55	H59-5401	A/R LEVER	H59-5401	H59-5401	H59-5401	H59-5401	H59-5401
56	H69-7801	A/R CAM SPRING	H69-7801	H69-7801	H69-7801	H69-7801	H69-7801
57	J35-5701	REAR COVER	J35-5701	J35-5701	J36-3701	J36-2101	J36-2101
58	J00-1801	SCREW	J00-1801	J00-1801	J00-1801	J00-1801	J00-1801
59	H59-5701	WASHER	H59-5701	H59-5701	H59-5701	G64-4201	G64-4201
60	H62-9101	OSC GEAR	H62-9101	H59-5801	H61-3901	G64-4302	G64-4302
61	H77-0601	O RING	H77-0601	H77-0601	G46-6001	B85-3101	B85-3101
62	H12-9200	WASHER	H12-9200	H12-9200	H12-9200	G52-2100	G52-2100
63	G46-9005	BALL BEARING	G46-9005	G46-9005	G46-9005	G46-7105	G46-7105
64	G94-0402	SCREW	G94-0402	G94-0402	G94-0402	H27-2202	H27-2202
65	G67-0501	O RING	G67-0501	G67-0501	G67-0501	G64-5301	G64-5301
67	375-8500	WASHER	375-8500	375-8500	373-7800	373-7800	373-7800
68	G46-7302	BALL BEARING	G46-7302	G46-7302	G46-7302	G52-3405	G52-3405
69	G33-2904	SCREW	G33-2904	G33-2904	G33-2904	G33-2904	G33-2904
70	J35-5501	SIDE COVER	J35-5501	J35-5501	J36-3501	J36-1901	J36-1901
71	J44-1201	HANDLE ASSEMBLY	J44-1201	J44-1301	J44-1301	J44-1401	J44-1401
72	G52-2703	BALL BEARING	G52-2703	G52-2703	G52-2703	B86-1704	B86-1704
73	G47-2401	BEARING RETAINER	G47-2401	G47-2401	G47-2401	G52-5101	G52-5101
74	G16-2401	O RING	G16-2401	G16-2401	G16-2401	G67-2401	G67-2401
75	J41-8101	HANDLE SCREW CAP	J41-8101	J41-8101	J41-8101	J39-7803	J39-7803