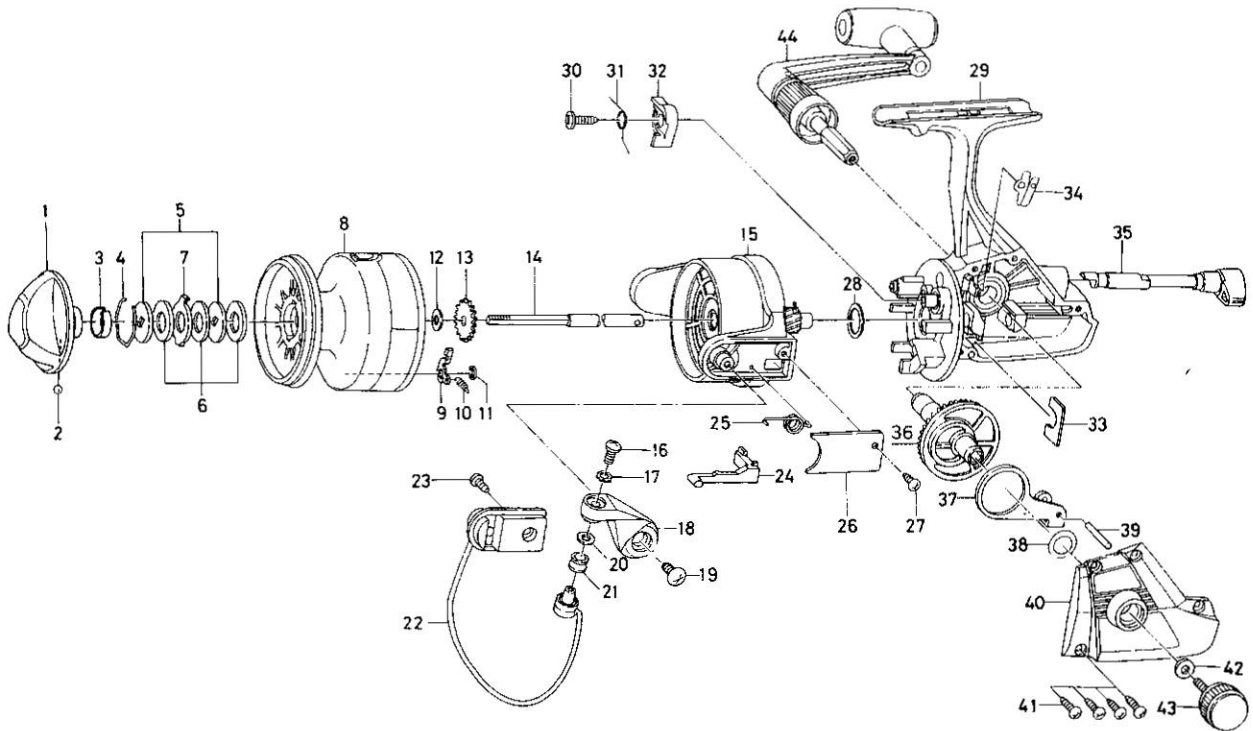


# SPINNING REEL — AG2600X / 4000X



Key No. 4-11

L12-4601 Spool assembly

## Key

Key No.	Part No.	Part Name
1	L10-8601	Drag knob
2	635-4701	Click ball
3	B32-8701	Click leaf spring
4	171-7701	Drag washer retainer
5	L03-1301	Key washer
6	375-7802	Drag washer
7	B89-9501	Eared washer
8	L12-4701	Spool assembly
9	B07-8201	Click pawl
10	145-2101	Click spring
11	320-1402	Click retainer
12	L10-4901	Spool washer
13	L02-1401	Click gear
14	L12-4501	Main shaft
15	L08-6101	Rotor assembly
16	353-9701	Line roller screw
17	160-8101	Lock washer
18	L06-7201	Bail arm
19	E00-7601	Bail arm screw
20	373-4501	Line roller washer
21	250-4221	Line roller
22	L12-4101	Bail assembly
23	L01-1702	Bail trip cam screw
24	L08-6601	Bail trip lever
25	L06-7001	Bail spring
26	L08-6702	Bail spring cover
27	B83-4402	Bail Spring cover screw

## Key

Key No.	Part No.	Part Name
28	B71-3800	Rotor washer
29	L12-4001	Body assembly
30	L06-6501	Anti-reverse pawl screw
31	L06-6401	Anti-reverse pawl spring
32	L06-6301	Anti-reverse pawl
33	632-6601	Pinion retainer
34	E01-1801	Anti-reverse cam spring
35	L06-6001	Anti-reverse lever
36	L02-1101	Drive gear
37	L02-1201	Oscillating slider
38	371-2824	Drive gear washer
39	L02-1501	Oscillating slider pin
40	L08-7104	Side cover
41	B83-5002	Side cover screw
42	L02-2301	Handle lock washer
43	L00-9102	Handle lock screw
44	L02-4201	Handle assembly

## AG4000X Special Parts

4-11	L12-4801	Spool assembly
8	L12-4901	Spool assembly
15	L08-7501	Rotor assembly
22	L12-4301	Bail assembly
24	L08-7701	Bail trip lever
29	L12-4002	Body assembly
40	L08-7103	Side cover