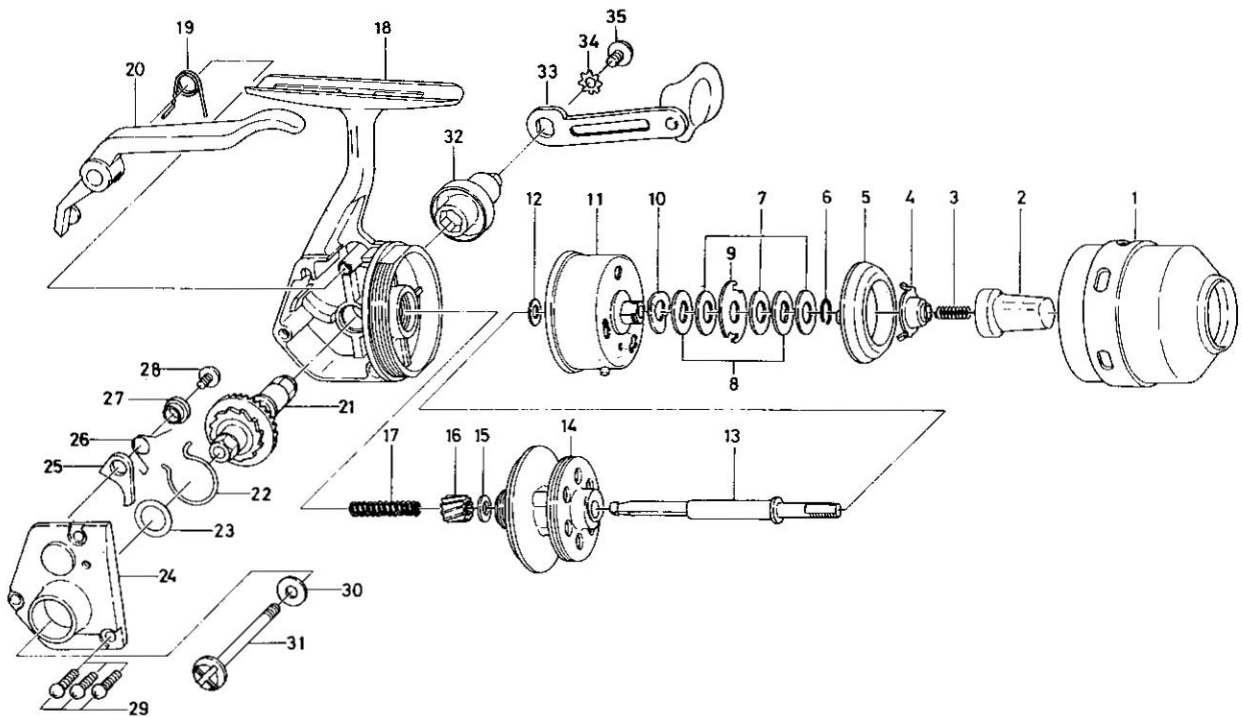


UNDER-SPINCAST REEL – US40XA



Key

No.	Part No.	Part Name
1	L09-3701	Front cover
2	L50-7201	Drag knob
3	145-1501	Drag spring
4	376-1312	Drag adjusting plate
5	330-4601	Line stopper
6	171-7801	Drag washer retainer
7	376-1101	Drag washer
8	376-1001	Key washer
9	376-1201	Eared washer
10	150-6801	Spring washer
11	L09-3501	Rotor assembly
12	376-0901	Rotor washer
13	B62-4001	Main shaft assembly
14	800-1442	Spool assembly
15	373-4501	Pinion washer
16	B62-4201	Pinion gear
17	B62-4301	Main shaft spring
18	L09-2301	Body assembly

Key

No.	Part No.	Part Name
19	L09-2601	Casting trigger spring
20	L09-2501	Casting trigger
21	B62-4402	Drive gear
22	L09-2801	Anti-reverse pawl spring A
23	373-7802	Drive gear washer
24	L09-2901	Side cover
25	L09-3101	Anti-reverse pawl
26	L09-3201	Anti-reverse pawl spring B
27	L09-3801	Anti-reverse pawl collar
28	E36-4202	Anti-reverse pawl screw
29	B00-9702	Side cover screw
30	372-3501	Handle lock washer A
31	L10-0601	Handle lock screw A
32	B62-4602	Handle stand
33	746-0101	Handle assembly
34	160-8001	Handle lock washer B
35	353-8203	Handle lock screw B