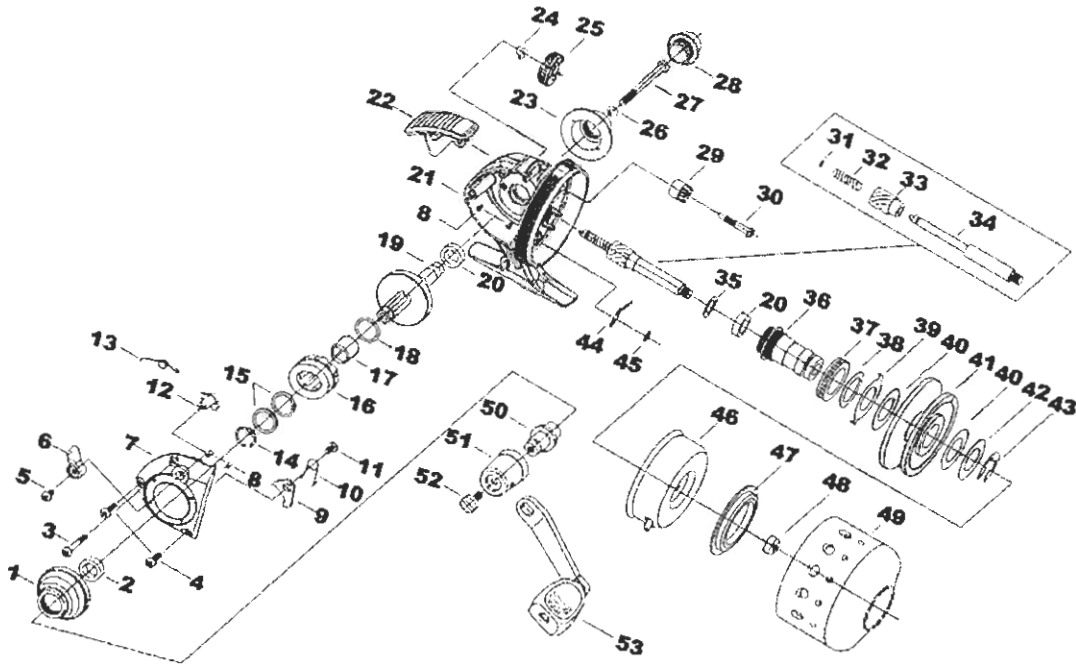


SC80Plus / SC100Plus / SC120Plus



Key No.	Parts No.	Parts Name
1	W31-5003	SIDE RING A
2	W31-6021	BALL BEARING A
3	W31-5101	SIDE COVER SCREWA
4	W31-5201	SIDE COVER SCREWB
5	W31-5301	A/R LEVER SCREW
6	W31-5401	A/R LEVER
7	W31-5503	SIDE COVER
8	W31-5901	SIDE RING SCREW
9	W31-6202	A/R PAWL
10	W31-6551	A/R PAWL SPRING
11	W31-6401	A/R PAWL SCREW
12	W31-5701	A/R CAM
13	W31-5801	A/R CAM SPRING
14	W31-6101	DRIVE GEAR WASHER A
15	W32-1101	DRIVE GEAR WASHER B
16	W32-1201	ROLLER CLUTCH
17	W32-1301	SPACING SLEEVE
18	W32-1401	DRIVE GEAR WASHER C
19	W31-6602	DRIVE GEAR
20	W31-6011	BALL BEARING B
21	W31-6705	BODY
22	W31-7301	PUSH BUTTON
23	W31-5001	SIDE RING B
24	W31-7401	DRAG DIAL COLLAR
25	W31-7501	DRAG DIAL
26	W31-7001	HANDLE WASHER
27	W31-7101	HANDLE SCREWB
28	W31-7201	HANDLE SCREW CAP
29	W31-7601	DRIVE GEAR A
30	W31-7701	DRIVE GEAR SCREW
31	W31-8001	RET
32	W31-8101	MAIN SHAFT SPRING
33	W31-8201	PINION GEAR
34	W31-8301	MAIN SHAFT
35	W31-8501	MAIN SHAFT WASHER
36	W31-8601	SPOOL METAL
37	W31-8802	DRAG PLT

Key No.	Parts No.	Parts Name
38	W31-8901	DRAG SPRING WASHER
39	W31-9002	EARED WASHER
40	W31-9101	DRAG WASHER
41	W31-9201	SPOOL
42	W31-9501	KEY WASHER
43	W31-9601	SPOOL RET
44	W31-9701	CLICK SPRING
45	W31-7901	SPRING RET
46	W31-9801	ROTOR
47	W32-0101	LINE STOPPER
48	W32-0301	ROTOR NUT
49	W32-0403	FRONT COVER
50	W32-0701	HANDLE METAL
51	W32-0801	HANDLE STAND
52	W32-0901	HANDLE SCREWA
53	W32-1001	HANDLE

SPECIAL PART FOR SC100P

Key No.	Parts No.	Parts Name
7	W31-5603	SIDE COVER
21	W31-6805	BODY
41	W31-9301	SPOOL
46	W31-9901	ROTOR
47	W32-0201	LINE STOPPER
49	W32-0503	FRONT COVER

SPECIAL PART FOR SC120P

Key No.	Parts No.	Parts Name
7	W31-5603	SIDE COVER
21	W31-6905	BODY
34	W31-8401	MAIN SHAFT
36	W31-8701	SPOOL METAL
41	W31-9401	SPOOL
46	W32-0001	ROTOR
47	W32-0201	LINE STOPPER
49	W32-0603	FRONT COVER