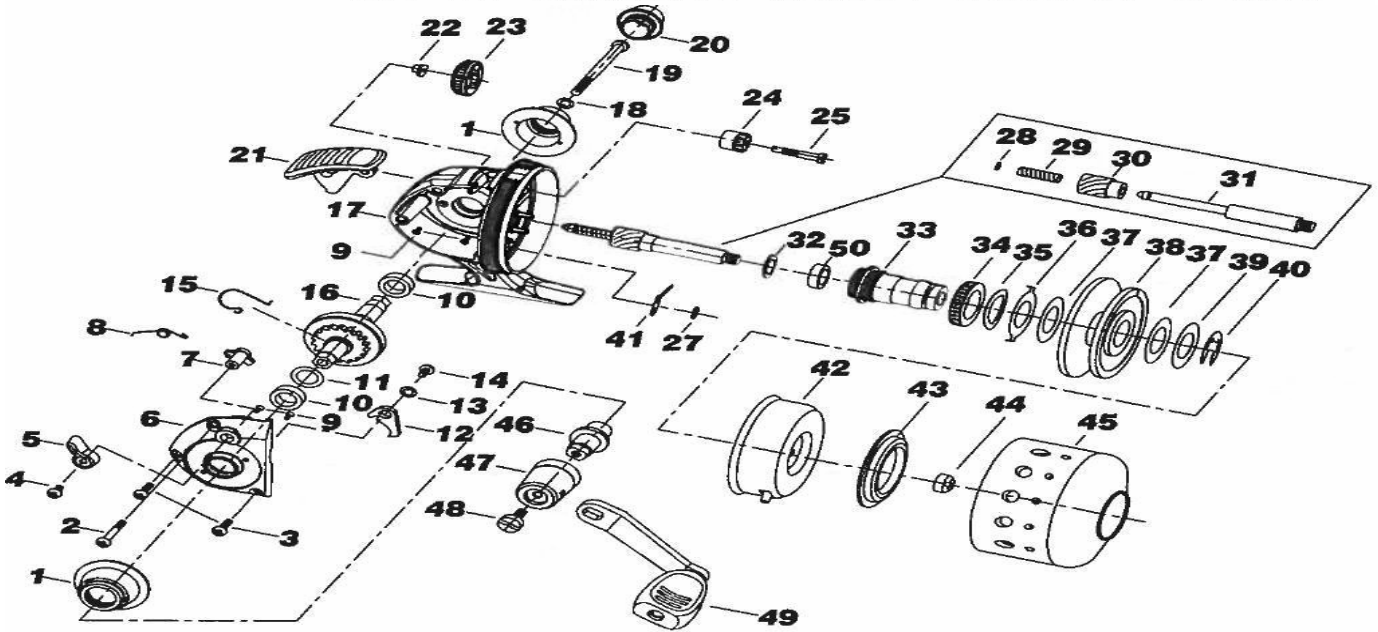


# SILVERCAST 80A / 100A / 120A



Key No.	Parts No.	Parts Name	Key No.	Parts No.	Parts Name
1	W59-6101	Side ring	27	W31-7901	Retainer
2	W31-5101	Screw (A)	28	W31-8001	Spring retainer
3	W31-5201	Screw (B)	29	W31-8101	Main shaft spring
4	W31-5301	Screw (C)	30	W59-6601	Pinion gear
5	W31-5401	Anti-reverse lever	31	W31-8301	Main shaft
6	W59-6201	Side cover	32	W31-8501	Washer (D)
7	W31-5701	Anti-reverse cam	33	W31-8601	Spool metal
8	W31-5801	Anti-reverse cam spring	34	W31-8802	Drag plate
9	W31-5901	Screw (D)	35	W31-8901	Drag spring washer
10	W31-6011	Ball bearing	36	W31-9002	Eared washer
11	W31-6101	Washer (A)	37	W31-9101	Drag washer
12	W31-6201	Anti-reverse pawl	38	W59-6701	Spool
13	W31-6301	Washer (B)	39	W31-9501	Key washer
14	W31-6401	Screw (F)	40	W31-9601	Spool retainer
15	W31-6501	Anti-reverse pawl spring	41	W31-9701	Click spring
16	W31-6601	Drive gear	42	W31-9801	Rotor
17	W59-6301	Body	43	W32-0101	Pinch ring
18	W31-7001	Washer (C)	44	W32-0301	Rotor nut
19	W31-7101	Drive shaft	45	W59-6801	Front cover
20	W59-6401	Cap	46	W32-0701	Handle metal
21	W59-6501	Push button	47	W59-6901	Handle stand
22	W31-7401	Drag collar	48	W32-0901	Handle screw
23	W31-7501	Drag dial	49	W59-7001	Handle
24	W31-7601	Drag gear (A)	50	W31-6011	Ball bearing
25	W31-7701	Screw (F)			

### SPECIAL PARTS for SC100A

Key No.	Parts No.	Parts Name
6	W59-7101	Side cover
17	W59-7201	Body
38	W59-7301	Spool
42	W31-9901	Rotor
43	W32-0201	Pinch ring
45	W59-7401	Front cover

### SPECIAL PARTS for SC120A

Key No.	Parts No.	Parts Name
6	W59-7501	Side cover
17	W59-7601	Body
31	W31-8401	Main shaft
33	W31-8701	Spool metal
38	W59-7701	Spool
42	W32-0001	Rotor
43	W32-0201	Pinch ring
45	W59-7801	Front cover

