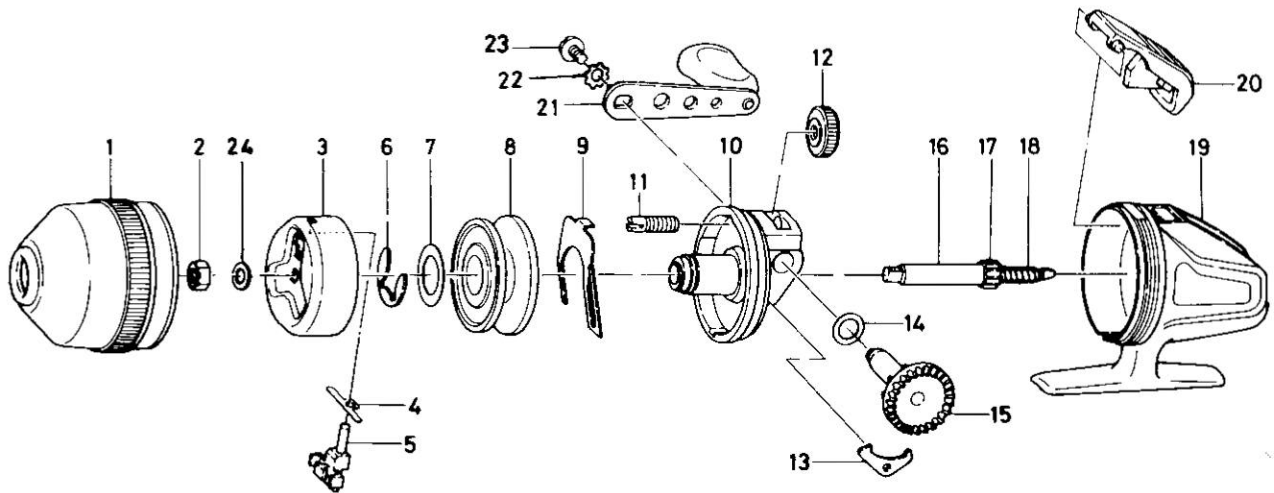


SPINCASTING REEL — J80



Key No. 16-18
B08-6502 Main shaft assembly

Key

Key No.	Part No.	Part Name
1	B76-7104	Front cover
2	E42-5101	Rotor nut
3	B60-9501	Rotor
4	B71-6101	Pick-up pin spring
5	B08-8203	Pick-up pin
6	320-0351	Spool retainer
7	370-4512	Spool washer
8	B61-2004	Spool
9	150-6321	Drag adjusting plate
10	E40-3701	Set plate
11	370-1302	Drag screw
12	B60-9201	Dial

Key

Key No.	Part No.	Part Name
13	770-0501	Anti-reverse pawl
14	373-7800	Drive gear washer
15	B08-6301	Drive gear
16	B08-6601	Main shaft
17	B08-6701	Pinion gear
18	141-2522	Main shaft spring
19	E42-1301	Body
20	B60-8901	Push button
21	B63-6301	Handle assembly
22	160-8001	Handle lock washer
23	E40-3301	Handle lock screw
24	E42-5201	Spacer