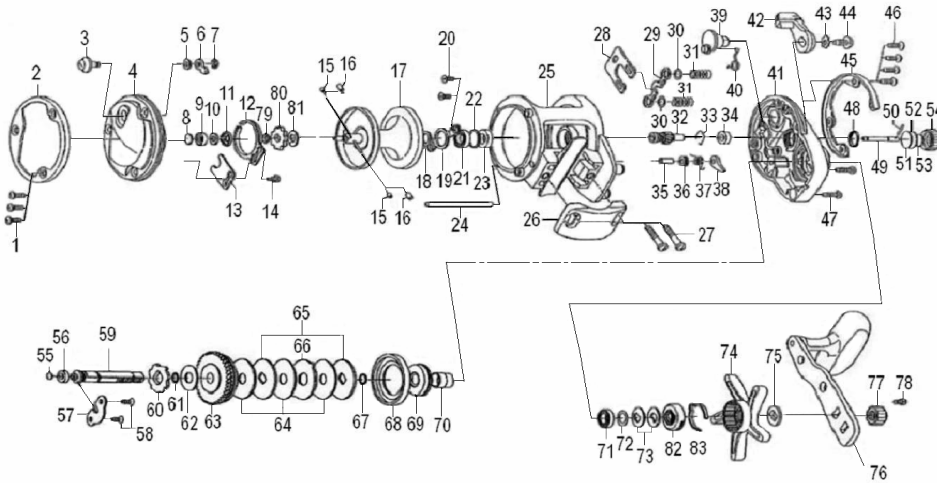


SEALINE-X 20SHA / 30SHA



| Key No. | Parts No. | Parts Name | Key No. | Parts No. | Parts Name |
|---------|-----------|-----------------------|---------|-----------|-----------------------|
| 1 | F09-3601 | L/S PLT SCREW | 46 | F09-3601 | R/S PLT SCREW A |
| 2 | E31-8204 | L/S OUTER RING | 47 | B00-9702 | R/S PLT SCREW B |
| 3 | E36-1301 | CLICK BUTTON | 48 | B05-5201 | O RING A |
| 4 | E34-5214 | L/S PLT | 49 | F94-6901 | PINION SHAFT |
| 5 | 373-1600 | CLICK BUTTON WASHER | 50 | F73-2801 | PIN |
| 6 | 030-6612 | CLICK PAWL | 51 | 375-7501 | SPACER C |
| 7 | 320-1402 | CLICK PAWL RET | 52 | 375-7500 | SPACER D |
| 8 | 375-7405 | SPACER A | 53 | B17-5503 | SPACER E |
| 9 | G51-1501 | BALL BEARING A | 54 | E31-5408 | CAST CONTROL CAP |
| 10 | E32-6601 | BEARING WASHER A | 55 | F57-5602 | DRIVE SHAFT WASHER A |
| 11 | E31-8001 | BALL BEARING COLLAR A | 56 | E35-1501 | DRIVE SHAFT BUSH |
| 12 | 160-7922 | CLICK SPRING | 57 | E19-9401 | DRIVE SHAFT RET |
| 13 | E36-1201 | CLICK RET | 58 | E31-6701 | DRIVE SHAFT RET SCREW |
| 14 | B83-4402 | CLICK SPRING SCREW | 59 | F97-4301 | DRIVE SHAFT |
| 15 | B35-2901 | BRAKE COLLAR A | 60 | E25-2903 | A/R RATCHET |
| 16 | B35-2701 | BRAKE COLLAR B | 61 | F65-7801 | O RING B |
| 17 | G00-7203 | SPOOL | 62 | 374-6604 | DRIVE SHAFT WASHER B |
| 18 | F97-5601 | BALL BEARING COLLAR B | 63 | F97-4401 | DRIVE GEAR |
| 19 | F97-4101 | BEARING RET A | 64 | F97-4501 | DRAG WASHER |
| 20 | E31-6701 | BEARING RET SCREW | 65 | F97-4701 | KEY WASHER |
| 21 | G42-7201 | BALL BEARING B | 66 | F97-4601 | EARED WASHER |
| 22 | F94-7102 | SPACER B | 67 | F65-7801 | O RING C |
| 23 | G00-7401 | BUSHING A | 68 | F97-4801 | WATER SHIELD |
| 24 | E31-6003 | STABILIZER BAR | 69 | F97-4901 | COLLAR A |
| 25 | G78-1601 | FRAME | 70 | G00-7501 | COLLAR B |
| 26 | E31-8301 | ROD CLAMP | 71 | G42-7201 | BALL BEARING C |
| 27 | E31-8401 | CLAMP BOLT | 72 | F73-4201 | BEARING WASHER B |
| 28 | E31-6101 | YOKE PLT | 73 | E25-3501 | DRAG SPRING WASHER |
| 29 | E36-1101 | YOKE | 74 | F55-0408 | STAR DRAG |
| 30 | E03-7706 | YOKE WASHER | 75 | E25-3901 | SPACING SLEEVE |
| 31 | E33-5301 | YOKE SPRING | 76 | G78-1501 | HANDLE |
| 32 | F97-4201 | PINION GEAR | 77 | G22-0301 | HANDLE NUT |
| 33 | B09-5601 | BEARING RET B | 78 | G21-8201 | HANDLE NUT SCREW |
| 34 | G00-8001 | BUSHING B | 79 | 320-1402 | CLICK SPRING RET |
| 35 | E25-2301 | A/R PAWL PIN | 80 | B21-6701 | CLICK GEAR |
| 36 | F00-8001 | SPRING HOLDER | 81 | E36-1402 | CLICK GEAR WASHER |
| 37 | E31-6502 | A/R PAWL SPRING | 82 | F17-0501 | DRAG HOLDER |
| 38 | E31-6401 | A/R PAWL | 83 | B74-7702 | CLICK LEAF SPRING |
| 39 | E31-5501 | CLUTCH CAM | | | |
| 40 | F02-0301 | CLUTCH SPRING | | | |
| 41 | F97-3808 | R/S PLT | | | |
| 42 | E24-9808 | CLUTCH LEVER | | | |
| 43 | 160-8001 | CLUTCH LEVER WASHER | | | |
| 44 | E00-7602 | CLUTCH LEVER SCREW | | | |
| 45 | E31-7304 | R/S OUTER RING | | | |

| SL-X30SHA SPECIAL PARTS | | |
|-------------------------|-----------|----------------|
| Key No. | Parts No. | Parts Name |
| 4 | E34-5215 | L/S PLT |
| 17 | G00-7303 | SPOOL |
| 24 | E40-4604 | STABILIZER BAR |
| 25 | G78-1701 | FRAME |