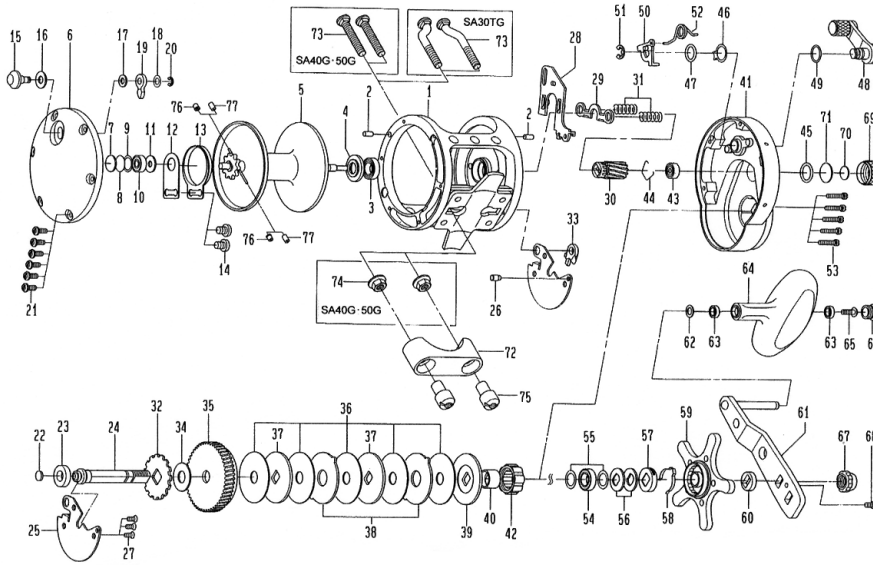




Daiwa
COMMITTED TO TOTAL QUALITY
MULTIPLYING REEL

Please order by parts number, not key number
Bitte, Best.-Nr. angeben (Nicht "Key"-Nr.)
Veuillez indiquer le numero de la pièce (Non "Key" No.)

SALTIGA 30TG·40G·50G



SA40G

Key No.

1

2

3

4

5

6

7

8

9

10

11

12

13

14

15

16

17

18

19

20

21

22

23

24

25

26

27

28

29

30

31

32

33

34

35

36

37

38

39

40

41

42

43

44

45

46

47

Parts No.

6G569601

6G211701

6G427201

6G211901

6G569701

6G568201

6G276300

6G212401

6F956702

6G427701

6F132602

6F131802

61607922

6G459201

65416501

63759301

63751101

63731600

60306223

63201402

6G473701

6F733501

6B738001

6G459301

6G459401

6G459501

6G212901

6G459602

6E290601

6G459701

6F935201

6F826301

6E489001

6G214101

6G462302

6G459801

6E317002

6E317101

63737810

6F827101

6G569801

6F552703

6374602

6F032201

6B055201

6G215301

61715201

Parts Name

Frame assembly

Pin

Ball bearing (A)

Water shield

Spool assembly

Left side plate assembly

Bearing washer (A)

Bearing washer (B)

Bearing washer (C)

Ball bearing (B)

Bearing washer (D)

Click spring retainer

Click spring

Click spring screw

Click button

Click button washer (A)

Click button washer (B)

Click button washer (C)

Click pawl

Click pawl retainer

Left side plate screw

Drive shaft washer (A)

Bushing

Drive shaft

Drive shaft retainer

Anti-reverse pawl pin

Drive shaft retainer screw

Yoke plate

Yoke

Pinion gear

Yoke spring

Anti-reverse ratchet

Anti-reverse pawl

Drive shaft washer (B)

Drive gear

Drag washer

Key washer (A)

Eared washer

Key washer (B)

Collar (A)

Right side plate

Handle metal

Ball bearing (C)

Bearing retainer

"O" ring (A)

Clutch cam ring

"O" ring (B)

48

49

50

51

52

53

54

55

56

57

58

59

60

61

62

63

64

65

66

67

68

69

70

71

72

73

74

75

76

77

6G568501

6G157001

6G460901

63207601

6G554801

6G473501

6F055502

63737812

6E253501

6G217101

6F977801

6G568901

6G217601

6G427601

63759300

6F055601

6G339801

6E454003

6G164404

6G220301

6G218201

6G461201

6B175503

6G27501

6G356403

63641101

6F187801

6F187701

6B352801

6B352701

Clutch lever

Clutch lever washer

Clutch cam

Clutch cam lock washer

Clutch cam spring

Right side plate screw

Ball bearing (D)

Bearing washer (E)

Drag spring washer

Click leaf spring holder

Click leaf spring

Star drag

Spacing sleeve

Handle arm

Handle knob washer

Ball bearing (E)

Handle knob

Handle knob screw (A)

Handle knob screw (B)

Handle nut

Handle nut screw

Cast control cap

Spacer (A)

Spacer (B)

Rod clamp

Clamp bolt

Clamp nut (A)

Clamp nut (B)

Brake collar (A)

Brake collar (B)

Special Parts for SA30TG

Key No.

1

5

41

72

73

6G569501

6G568101

6G568301

6G459303

6G474701

Parts Name

Frame assembly

Spool assembly

Right side plate

Rod clamp

Clamp bolt

Special Parts for SA50G

Key No.

1

5

41

6G570201

6G570301

6G570401

Parts Name

Frame assembly

Spool assembly

Right side plate

SA40G

Key No.

1

2

3

4

5

6

7

8

9

10

11

12

13

14

15

16

17

18

19

20

21

22

23

24

25

26

27

28

29

30

31

32

33

34

35

36

37

38

39

40

41

42

43

44

45

46

47

Parts No.

6G569601

6G211701

6G427201

6G211901

6G569701

6G568201

6G276300

6G212401

6F956702

6G427701

6F132602

6F131802

61607922

6G459201

65416501

63759301

63751101

63731600

60306223

63201402

6G473701

6F733501

6B738001

6G459301

6E45401

6G459501

6G212901

6G459602

6E290601

6G