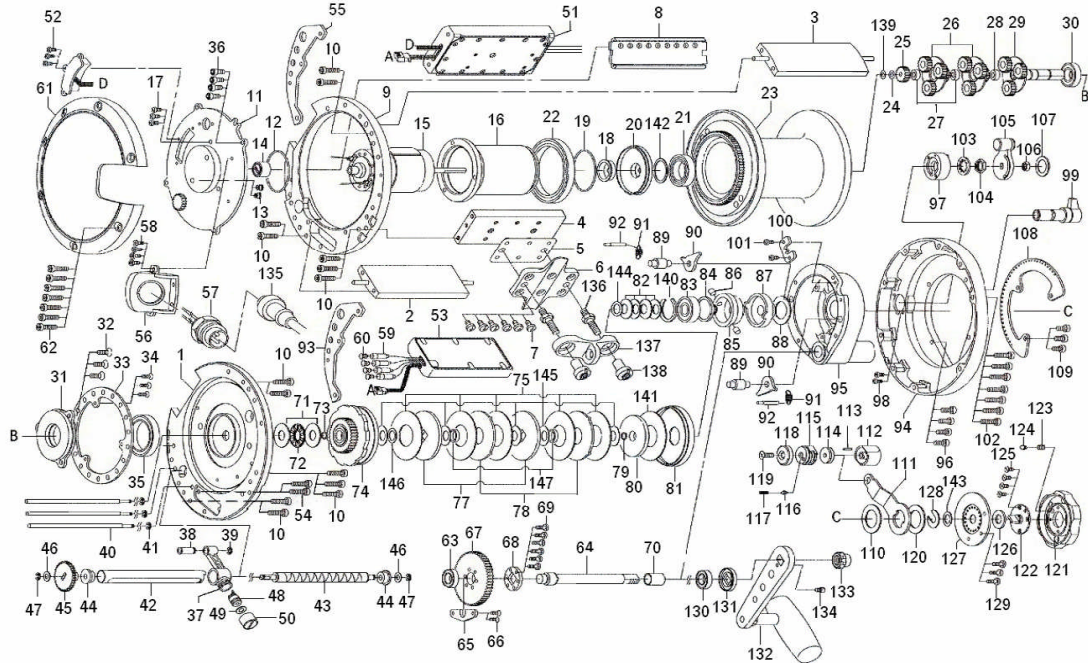


MARINEPOWER 3000



Key

No.	Parts No.	Parts Name
1	G43-1401	R/S RING
2	G43-1501	PALMING PLT A
3	G43-1502	PALMING PLT B
4	G43-1801	STAND PLT A
5	G44-4401	STAND PLT B
6	G43-1901	STAND
7	G43-2001	STAND SCREW
8	G43-2101	FINGER GUARD
9	G43-2201	L/S RING
10	G50-6301	RING PLT SCREW
11	G43-2402	LEFT SET PLT
12,19	F59-5801	MOTOR HOLDER O RING
13	G43-7701	MOTOR CORD COVER
14	G43-3901	MOTOR METAL
15	G43-4202	MOTOR
16	G43-4701	MOTOR HOLDER
17	G43-7401	MOTOR HOLDER SCREW
18	G43-4901	MOTOR HOLDER SHIELD
20	G50-7101	MOTOR HOLDER PLT
21	G50-1101	BALL BEARING A
22	G43-4801	BALL BEARING B
23	G43-5301	SPOOL
24	G50-6401	SPOOL GEAR WASHER A
25	G43-5801	SPOOL GEAR A
26	G53-7701	SPOOL GEAR B
27	G56-1901	SPOOL GEAR BUSHING A
28	G56-1801	SPOOL GEAR BUSHING B
29	G43-6501	SPOOL GEAR C
30	G59-7101	BALL BEARING C
31	G43-7001	SPOOL PLT
32	G43-7101	SPOOL PLT SCREW
33	G43-7201	CLICK PLT
34	E29-3001	CLICK PLT SCREW
35	G43-7301	BALL BEARING D
36	G43-7401	LEFT SET PLT SCREW
37	G43-7601	LINE GUIDE
38	G43-7801	LEVEL WIND COLLAR
39	F67-3501	LEVEL WIND COLLAR RET
40	G43-8001	LEVEL WIND POST
41	G27-0601	LEVEL WIND POST RET
42	G43-8101	WORM SHIELD
43	G43-8201	WORM SHAFT
44	G43-8301	WORM SHAFT BUSHING
45	G43-8401	WORM SHAFT GEAR
46	373-2702	WORM SHAFT WASHER
47	320-1402	WORM SHAFT RET
48	G43-8501	LINE GUIDE PAWL
49	373-2701	LINE GUIDE WASHER

Key

No.	Parts No.	Parts Name
50	G43-8601	PAWL CAP
51	G43-0602	IC MODULE
52	352-2506	SPOOL SENSOR SCREW
53	G53-4101	POWER MODULE
54	G50-6301	POWER MODULE SCREW
55, 93	G43-8901	IC PROTECTOR PLT
56	G43-9001	RECEPTACLE HOLDER
57	G43-9101	RECEPTACLE
58	G16-0101	RECEPTACLE HOLDER SCREW
59	F68-2001	POWER CORD COVER
60	G68-2301	POWER MODULE CORD COVER
61	G43-9301	L/S PLT
62	G50-6201	L/S PLT SCREW
63	G43-9402	BALL BEARING E
64	G43-9501	DRIVE SHAFT
65	G43-9601	DRIVE SHAFT RET
66	351-8903	DRIVE SHAFT RET SCREW
67	G43-9701	DRIVE GEAR
68	G43-9801	DRIVE GEAR PLT
69	351-6413	DRIVE GEAR SCREW
70	G43-9901	DRIVE SHAFT BUSHING
71	G44-5601	DRAG HOLDER WASHER
72	G44-5701	DRAG HOLDER BEARING
73, 79	F65-7801	O RING
74	G44-0001	DRAG HOLDER
75	G44-0401	DRAG WASHER A
77	G44-0601	KEY WASHER
78	G44-0701	EARED WASHER
80	G44-0901	DRAG COLLAR
81	G44-0801	DRAG COLLAR SHIELD
82	G44-1001	DRAG SPRING WASHER A
83	B88-7801	BALL BEARING F
84	G56-2301	ECCENTRIC CAM SCREW
85	G56-2201	SLEEVE
86	G50-0701	ELECTRIC CAM PIN
87	G44-1101	ECCENTRIC CAM
88	K30-0801	ECCENTRIC CAM WASHER
89	G44-1201	A/R PAWL PIN
90	G44-1301	A/R PAWL
91	G44-1401	A/R PAWL SPRING
92	G44-1501	A/R PAWL SPRING PIN
94	G44-1601	R/S PLT
95	G44-1701	RIGHT SET PLT
96	G43-2001	RIGHT SET PLT SCREW
97	G44-1801	POWER LEVER COLLAR
98	351-1106	POWER LEVER COLLAR SCREW
99	G44-2001	CLICK LEVER

Key

No.	Parts No.	Parts Name
100	G44-2401	CLICK LEVER RET
101	351-6601	CLICK LEVER RET SCREW
102	G50-6201	R/S PLT SCREW
103	F28-5901	POWER LEVER WASHER
104	G13-9601	POWER LEVER NUT A
105	G44-2501	POWER LEVER
106	342-4004	POWER LEVER NUT B
107	F43-0002	POWER LEVER COVER
108	G44-3002	DRAG LEVER PLT
109	G43-7401	DRAG LEVER METAL SCREW
10, 120	K30-0801	DRAG LEVER WASHER
111	G44-3401	DRAG LEVER
112	G44-3501	DRAG LEVER METAL
113	G52-0401	DRAG LEVER METAL PIN
114	G44-3601	DRAG LEVER METAL WASHER
115	G44-3701	DRAG LEVER COLLAR
116	F28-8001	DRAG LEVER CLICK PIN
117	G29-4201	POWER LEVER SPRING
118	G44-3801	DRAG LEVER CAP
119	G51-5201	DRAG LEVER SCREW
121	G44-4101	PRE-SET DRAG KNOB
122	G44-4201	PRE-SET METAL
123	K30-2601	PRE-SET DRAG SPRING
124	K30-2501	PRE-SET DRAG PIN
125	E13-4503	PR-SET METAL SCREW
126	G44-4001	PRE-SET METAL WASHER
127	G44-4301	COVER PLT
128	K30-2201	DRAG LEVER RET
129	351-6413	COVER PLT SCREW
130	G43-9402	BALL BEARING G
131	G44-4501	DRIVE SHAFT CAP
132	G51-6601	HANDLE
133	G44-5101	HANDLE NUT
134	G21-8201	HANDLE NUT SCREW
135	F04-2805	ELECTRIC POWER CORD
136	G44-5301	CLAMP BOLT
137	K30-9201	ROD CLAMP
138	G44-5401	CLAMP NUT
139	375-3005	SPOOL GEAR WASHER B
140	G56-2401	DRAG RING
141	G56-2001	DRAG COLLAR WASHER
142	G58-1700	SPOOL BEARING WASHER
143	371-2824	COVER PLT WASHER
144	B27-0706	DRAG ADJ. WASHER
145	G62-5301	DRAG SPRING WASHER B
146	B27-0707	DRAG WASHER B
147	G62-4101	DRAG WASHER COLLAR

There may sometimes be a difference between the purchased reel and the Dismantled Parts Chart or the parts list above due to the adjustment process etc. We appreciate your understanding.