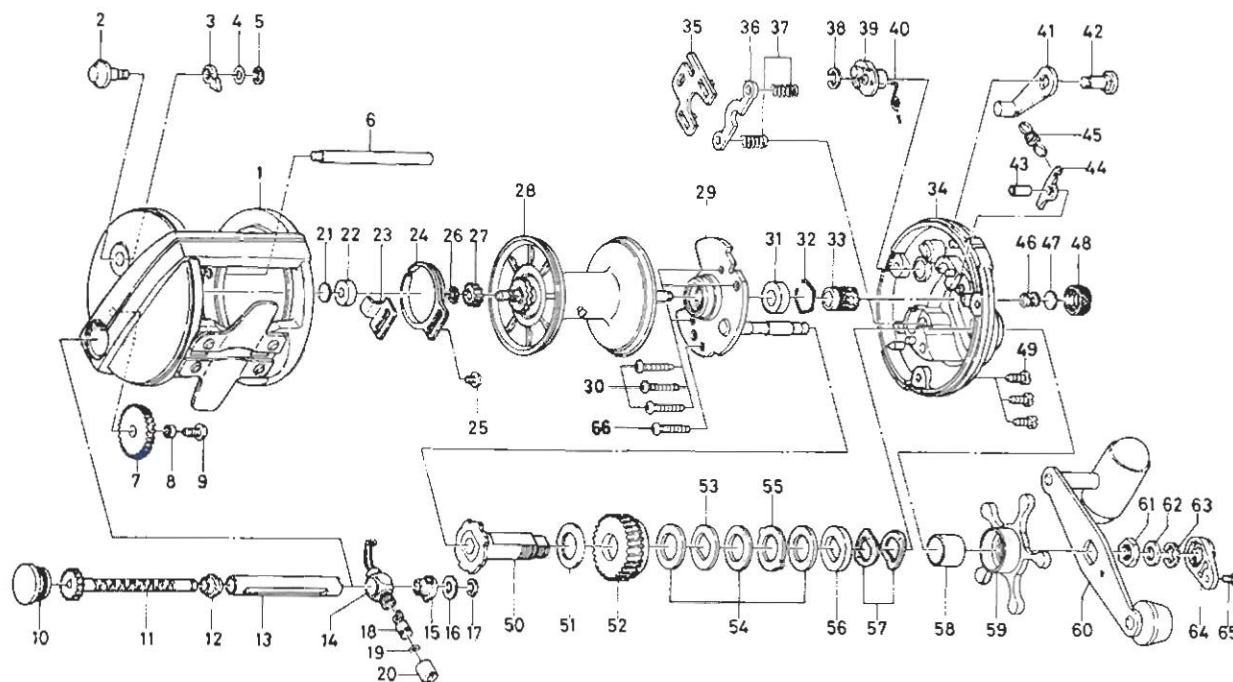


MULTIPLYING REEL — SL175H



Key

Key No.	Part No.	Part Name
1	L12-1701	Frame assembly
2	B21-6602	Click button
3	030-6611	Click pawl
4	373-1600	Click pawl washer
5	320-1402	Click pawl retainer
6	B21-6301	Stabilizer bar
7	B21-5801	Idle gear
8	B65-6201	Idle gear collar
9	E10-7401	Idle gear screw
10	B40-6704	Left side cap
11	B21-5901	Worm shaft
12	B10-0301	Worm bearing A
13	B21-6201	Level wind guard
14	B21-6401	Line guard
15	B09-9701	Worm bearing B
16	373-1302	Worm shaft holder washer
17	320-5901	Worm shaft retainer
18	E24-0901	Line guide pawl
19	375-0800	Line guide washer
20	341-5901	Pawl cap
21	375-7403	Ball bearing metal washer
22	637-5601	Bush A
23	B21-5501	Click spring retainer
24	160-7922	Click spring
25	B83-4402	Click spring screw
26	320-8002	Bearing retainer
27	403-2901	Spool gear
26-28	E07-5402	Spool assembly
29	E07-4502	Set plate
30	E04-3301	Set plate screw A
31	B73-8001	Bush B
32	170-7701	Bearing retainer
33	B76-2601	Pinion gear

Key

Key No.	Part No.	Part Name
34	E07-2702	Right side plate
35	041-5701	Yoke plate
36	041-5801	Yoke
37	144-7101	Yoke spring
38	320-7601	Clutch cam retainer
39	E04-2901	Clutch cam
40	145-2501	Clutch cam spring
41	782-5404	Clutch lever
42	E04-3002	Clutch lever ping
43	E08-1801	Anti-reverse pawl collar
44	B12-0702	Anti-reverse pawl
45	145-2801	Anti-reverse pawl spring
46	E23-5301	Spool tension spring
47	375-7405	Spacer A
48	B93-9702	Cast control cap
49	E04-3702	Set plate screw
50	L12-1101	Drive shaft
51	375-2901	Drive shaft washer
52	E07-4701	Drive gear
53	375-6203	Key washer A
54	B12-1503	Drag washer
55	375-6302	Eared washer
56	375-6204	Key washer B
57	151-8701	Drag spring washer
58	B36-5101	Spacing sleeve
59	L12-1301	Star drag
60	L12-1501	Handle assembly
61	B26-7403	Handle nut
62	371-0605	Handle nut washer
63	320-7601	Handle nut retainer
64	B15-2302	Handle nut plate
65	351-1803	Handle nut plate screw
66	E04-3301	Set plate screw B

NEW PARTS LIST. NOTE: New model has blue line. Old model is red line.