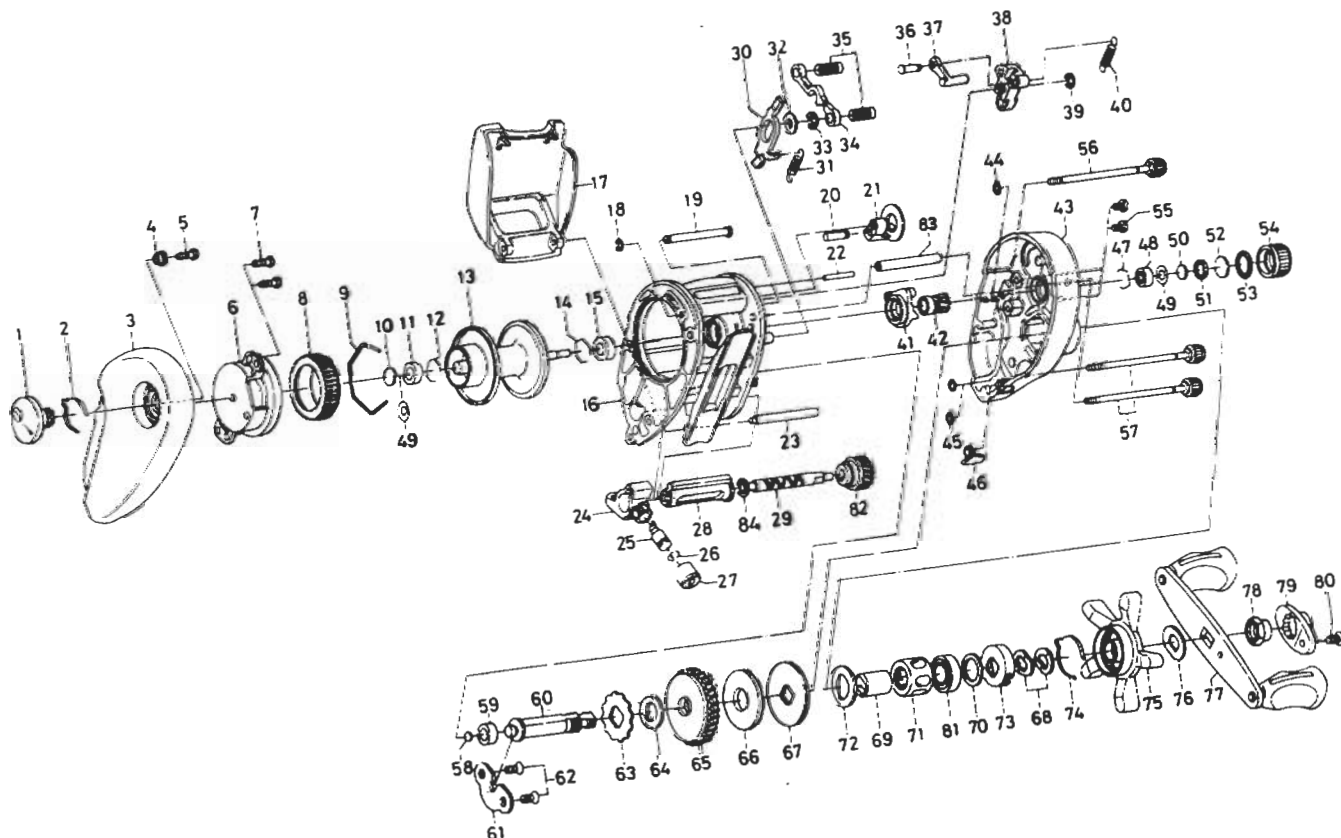


SPINCASTING REEL TD1Pi/2Pi


Key
NO.

Key NO.	Parts No.	Parts Name
1	F02-9605	Brake adjusting knob
2	F05-1701	Brake click spring
3	F02-9201	Left side -plate
4	F02-9801	Brake adjusting knob collar
5	E15-7502	Brake adjusting knob screw
6	F02-9401	Left set plate
7	E15-7502	Left set plate screw
8	B66-1201	Magnet holder
9	B54-3201	Magnet holder ret. ring
10	375-7405	Spacer A
11	B35-8601	Ball bearing A
12	B42-1601	Bearing retainer A
13	F05-0201	Spool assembly
14	B42-1601	Bearing retainer A
15	B35-8601	Ball bearing A
16	F07-4701	Frame assembly
17	E39-3409	Parcing plate
18	886-4101	Stabilizer bar retainer
19	E39-2001	Stabilizer bar A
20	E39-1901	Flipping/casting selector pin
21	F02-6701	Flipping/casting selector
22	E19-6801	Stabilizer bar B
23	F02-9001	Stabilizer bar C
24	E39-3301	Line guide
25	121-4212	Line guide pawl

Key
NO.

Key NO.	Parts No.	Parts Name
26	375-4101	Line guide washer
27	342-4801	Pawl cap
28	F03-6001	Level wind guard
29	E24-7101	Worm shaft
30	F02-7101	Clutch trip plate
31	E43-0001	Clutch trip plate spring
32	371-6903	Clutch trip plate washer
33	320-1402	Clutch trip plate retainer
34	E30-4301	Yoke
35	E23-6401	Yoke spring
36	E19-7201	Clutch trip plate arm pin
37	E19-7101	Clutch trip plate arm
38	F02-6601	Clutch cam
39	B33-9801	Clutch cam retainer
40	F05-3101	Clutch cam spring
41	E44-3801	Yoke plate
42	F26-4201	Pinion gear
43	F09-6611	Right side plate
44	B85-3101	"O" ring A
45	B85-3101	"O" ring A
46	E16-9502	Line holder
47	E21-9701	Bearing retainer B
48	E08-8001	Ball bearing B

Continued on page 33