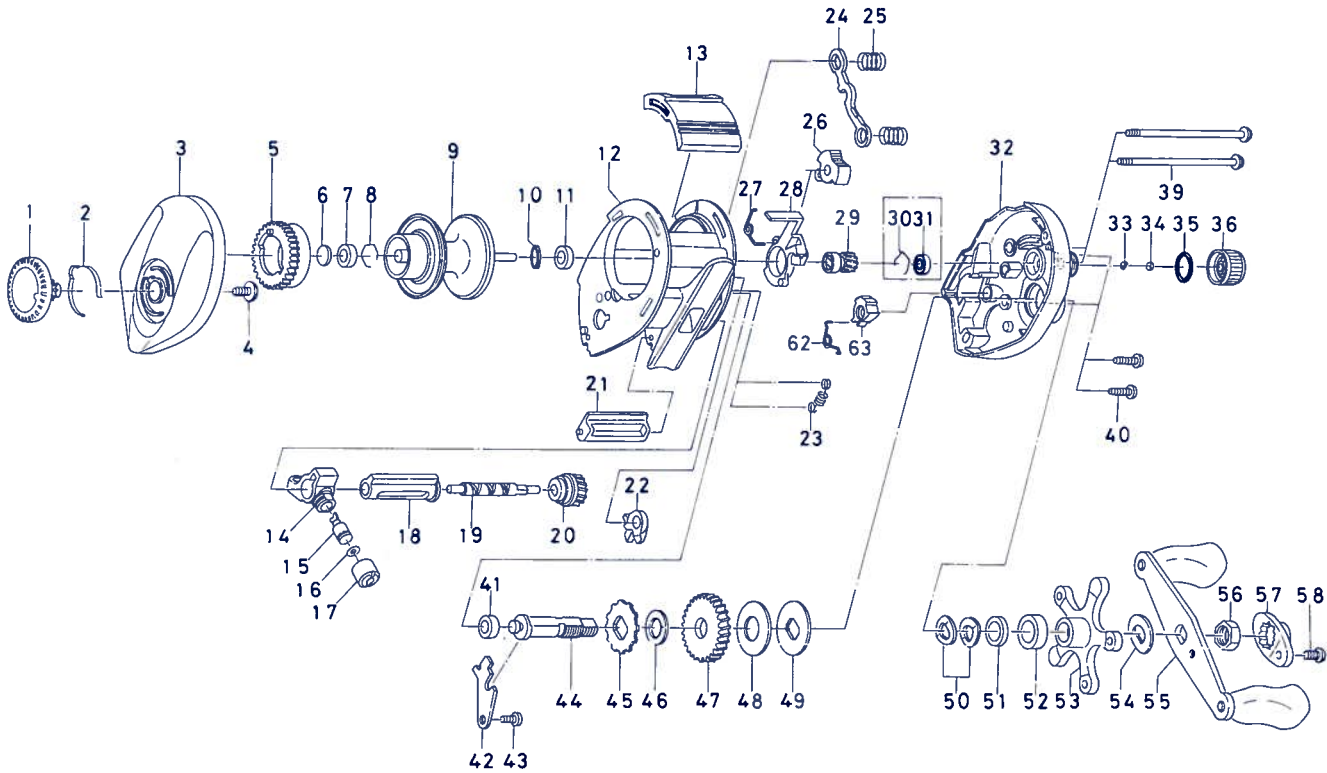


BAITCASTING REEL – PT1500F



Key

Key No.	Part No.	Part Name
1	F15-7401	Brake adjusting knob
2	F03-2401	Brake click spring
3	F13-7207	Left side plate
4	B84-2102	Brake adjusting knob screw
5	E23-9501	Magnet holder
6	375-7400	Spacer A
7	B55-0301	Bushing A
8	B42-1601	Bearing retainer A
9	F05-4901	Spool assembly
10	F12-0701	Ball bearing retaining ring
11	B35-8601	Ball bearing A
12	F05-3702	Frame assembly
13	F05-4001	Clutch lever
14	E16-6301	Line guide
15	121-4212	Line guide pawl
16	375-4101	Line guide washer
17	342-4801	Pawl cap
18	E31-2001	Level wind guard
19	E45-1201	Worm shaft
20	F08-5201	Worm shaft gear
21	F05-3902	Line guard
22	E23-8001	Anti-reverse pawl
23	E16-5801	Clutch trip plate spring
24	E23-7701	Yoke
25	E16-7101	Yoke spring
26	E24-9101	Flipping / casting selector
27	E24-9001	Clutch cam spring
28	E23-7401	Clutch cam

Key

Key No.	Part No.	Part Name
29	E42-0901	Pinion gear
32	F05-4224	Right side plate
33	E16-9203	Spool adjusting cap metal
34	E17-0501	Spacer B
35	171-5201	"O" ring A
36	E23-8401	Cast control cap
39	E28-4901	Right side plate screw
40	E33-0401	Set plate screw
41	B55-0301	Bushing A
42	E23-7601	Drive shaft retainer
43	B83-4402	Drive shaft retainer screw
44	E23-7501	Drive shaft
45	E32-7701	Anti-reverse ratchet
46	375-7103	Drive shaft washer
47	F12-6701	Drive gear
48	B36-0202	Drag washer
49	B36-0301	Key washer
50	150-8901	Drag spring washer
51	E20-8501	Spacing sleeve
52	E15-4001	Ball bearing B
53	E23-8702	Star drag
54	150-9001	Friction washer
55	E30-5201	Handle assembly
56	B43-3601	Handle nut
57	F05-4401	Handle nut plate
58	351-1801	Handle nut plate screw
62	F12-0501	Anti-reverse lever spring
63	E30-9501	Anti-reverse lever