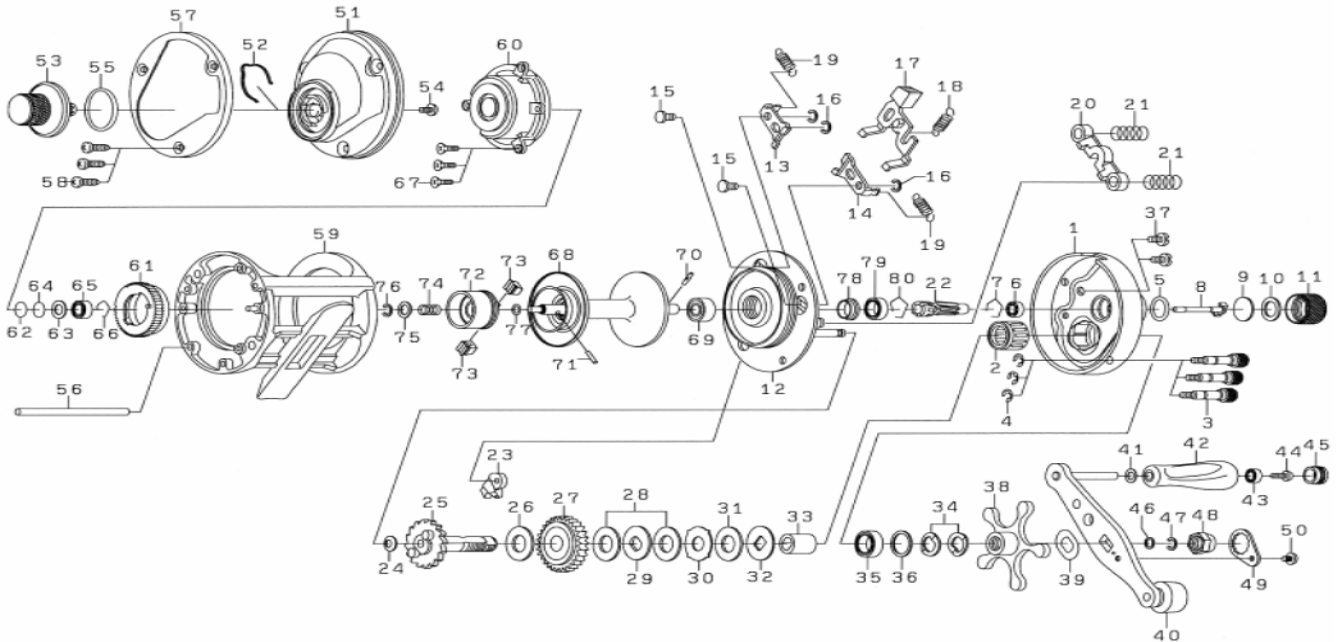


Please order by parts number, not key number  
 Veuillez indiquer le numéro de la pièce (Non "Key" No.)



# BAITCASTING REEL **MILLIONAIRE TOURNAMENT 7HT MAG**



Key No.	Part No.	Parts Name	Key No.	Part No.	Parts Name
1	H06-9601	Right side plate	37	353-1702	Right side plate screw (A)
2	F99-9803	Roller clutch	38	H07-0501	Star drag
3	E46-5402	Right side plate screw	39	150-9001	Friction washer
4	320-5901	Right side plate screw	40	H13-4501	Handle assembly
5	B05-5201	"O" ring (A)	41	F30-6400	Handle knob washer
6	G43-0901	Ball bearing (A)	42	G45-5402	Handle knob
7	E21-9701	Bearing retainer (A)	43	G46-9001	Ball bearing (C)
8	F74-4101	Pinion shaft	44	B67-9308	Handle knob screw
9	375-7501	Spacer (A)	45	G45-6206	Handle knob cap
10	371-2822	Spacer (B)	46	B55-4301	Handle nut washer
11	G76-0202	Cast control cap	47	B33-9801	Handle nut retainer
12	G76-0302	Set plate AS	48	H07-0901	Handle nut
13	040-4701	Clutch trip plate (A)	49	040-3201	Handle nut plate
14	040-4801	Clutch trip plate (B)	50	353-8302	Handle nut plate screw
15	121-6801	Set plate screw	51	H07-1001	Left side plate
16	320-8202	Clutch trip plate retainer	52	H08-6201	Brake click spring
17	B33-7302	Yoke plate	53	H07-4801	Brake adjusting knob
18	H06-9901	Yoke plate spring	54	351-7709	Brake adjusting screw
19	H07-0001	Clutch trip plate spring	55	G48-8801	"O" ring (B)
20	B33-7501	Yoke	56	E31-6001	Stabilizer bar
21	B33-7601	Yoke spring	57	H07-1501	Left side outer ring
22	H07-0101	Pinion gear	58	E31-7401	Left side plate screw
23	770-0301	Anti-reverse pawl	59	H07-1601	Frame
24	373-7611	Drive shaft washer (A)	60	H07-1701	Set plate
25	H07-0201	Drive shaft	61	H07-1901	Magnet holder
26	374-9302	Drive shaft washer (B)	62	375-7404	Spacer (C)
27	H07-0401	Drive gear	63	G18-5101	Spacer (D)
28	G42-8501	Drag washer	64	375-7411	Spacer (E)
29	F79-6301	Key washer	65	G51-1502	Ball bearing (E)
30	F79-6101	Eared washer	66	F03-2201	Bearing retainer (B)
31	G45-5801	Drag washer	67	G21-2901	Set plate screw
32	B36-0303	Key washer	68~76	Z01-8583	Spool assembly
33	G82-5201	Gear shaft collar	77	F57-4303	Spacer (F)
34	150-8901	Drag spring washer	78	G76-0501	Collar
35	E15-4001	Ball bearing (B)	79	G43-1001	Ball bearing (F)
36	B55-3801	Bearing washer	80	G22-7401	Bearing retainer (C)