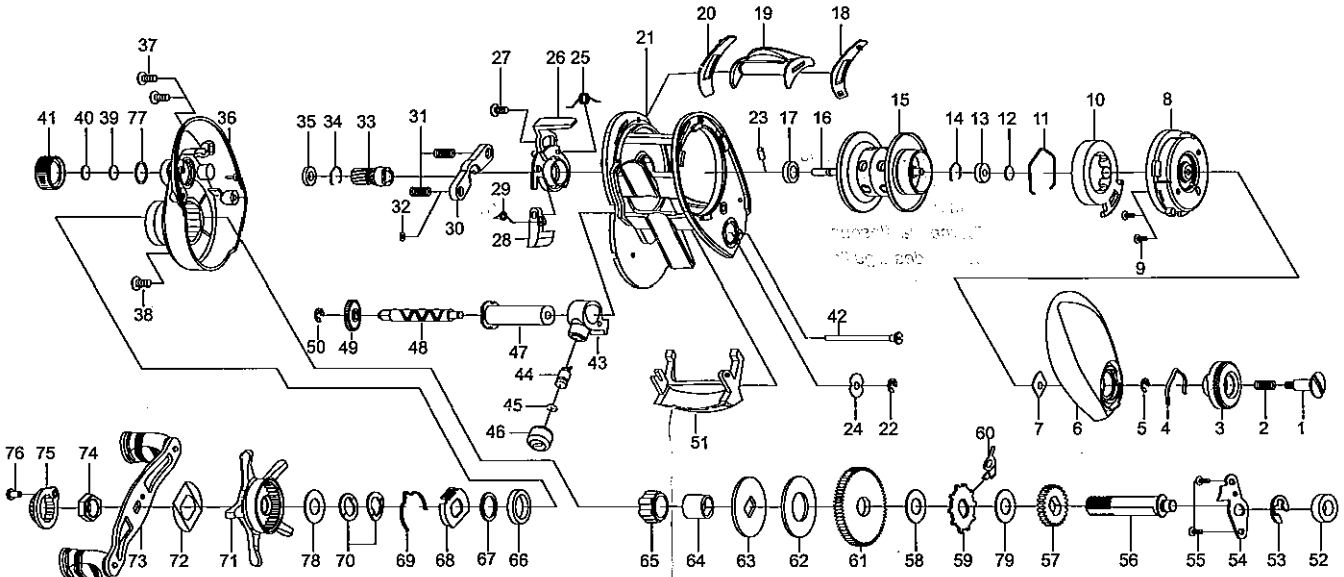


Please order by parts number, not key number  
 Veuillez indiquer le numéro de la pièce (Non "Key" No.)



# LEXA 100HL/100HSL/100PL



Key No.	Part No.	Part Name
1	460-5410	SET PLATE SCREW
2	550-1610	SET PLATE SPRING
3	550-1610	BRAKE ADJUST KNOB(S)
4	510-5060	BRAKE CLICK SPRING
5	200-0530	BRAKE DIAL RETAINER(A)
6	230-2430	LEFT SIDE PLATE
7	410-1911	BRAKE DIAL RETAINER(B)
8	230-3010	LEFT SET PLATE
9	460-3220	SCREW
10	240-1952	MAGNET HOLDER
11	430-1070	MAGNET HOLDER RET. RING
12	540-5990	SPACER(A)
13	140-1500	BALL BEARING(A)
14	430-1061	BEARING RETAINER
15-17,23	700-9520	SPOOL ASSEMBLY
18	410-2150	SPACER(B)
19	090-0260	CLUTCH LEVER
20	410-2140	SPACER(C)
21	110-1070	FRAME ASSEMBLY
22	200-0530	WORM SHAFT RETAINER
23	400-2250	SPOOL PIN
24	540-6060	WORM SHAFT WASHER
25	510-5040	CLUTCH CAM SPRING
26	170-1280	CLUTCH CAM
27	460-5440	SCREW
28	330-2830	CLUTCH TRIP PLATE
29	510-5080	CLUTCH CAM SPRING(B)
30	410-1890	YOKE
31	510-4770	YOKE SPRING
32	540-6020	WASHER(B)
33	260-1691	PINION GEAR
34	430-1061	BEARING RETAINER
35	150-2060	BUSH
36	230-2430	RIGHT SIDE PLATE
37	460-7010	SCREW
38	460-5520	SCREW
39	540-6850	SPACER(D)
40	540-4340	SPACER(E)
41	380-1770	CAST CONTROL CAP(S)
42	460-4861	LONG SCREW
43	490-1080	LINE GUIDE
44	400-2540	LINE GUIDE PAWL
45	540-3980	WASHER(C)
46	380-0780	LINE PAWL CAP
47	270-0730	LEVEL WIND GUIDE
48	470-1920	WORM SHAFT
49	240-2180	WORM SHAFT GEAR
50	200-0530	GEAR RETANER

Key No.	Part No.	Part Name
51	550-1650	FRAME PLATE
52	140-1580	BALL BEARING(C)
53	200-0580	DRIVE GEAR SHAFT RETAINER(B)
54	410-2210	DRIVE GEAR SHAFT RETAINER(A)
55	460-4640	SCREW
56	470-3790	DRIVE SHAFT
57	240-2190	DRIVE SHAFT GEAR
58	540-6840	SPACER(F)
59	240-2530	ANTI-REVERSE RATCHET
60	530-0840	ANTI-REVERSE PAWL
61	250-1430	DRIVE GEAR
62	540-6950	DRAG WASHER
63	540-9030	KEY WASHER
64	150-2180	GEAR SHAFT COLLAR
65	140-1810	ROLLER CLUTCH
66	140-0570	BALL BEARING(D)
67	540-1570	SPACING WASHER
68	410-2220	PLATE
69	510-4760	LEAF SPRING(A)
70	540-6390	DRAG SPRING WASHER
71	700-7180	STAR DRAG
72	510-3260	LEAF SPRING(B)
73	700-8620	HANDLE ASSEMBLY
74	380-0880	HANDLE NUT
75	180-2470	HANDLE NUT PLATE
76	460-0450	SCREW
77	430-1080	O-RING
78	540-9020	WASHER
79	540-7010	DRIVE SHAFT WASHER A

### LEXA 100HSL-SPECIAL PARTS

Key No.	Part No.	Part Name
33	260-1701	PINION GEAR
36	230-2330	RIGHT SIDE PLATE
61	250-1440	DRIVE GEAR

### LEXA 100PL-SPECIAL PARTS

Key No.	Part No.	Part Name
33	260-1901	PINION GEAR
36	230-2420	RIGHT SIDE PLATE
61	250-1450	DRIVE GEAR