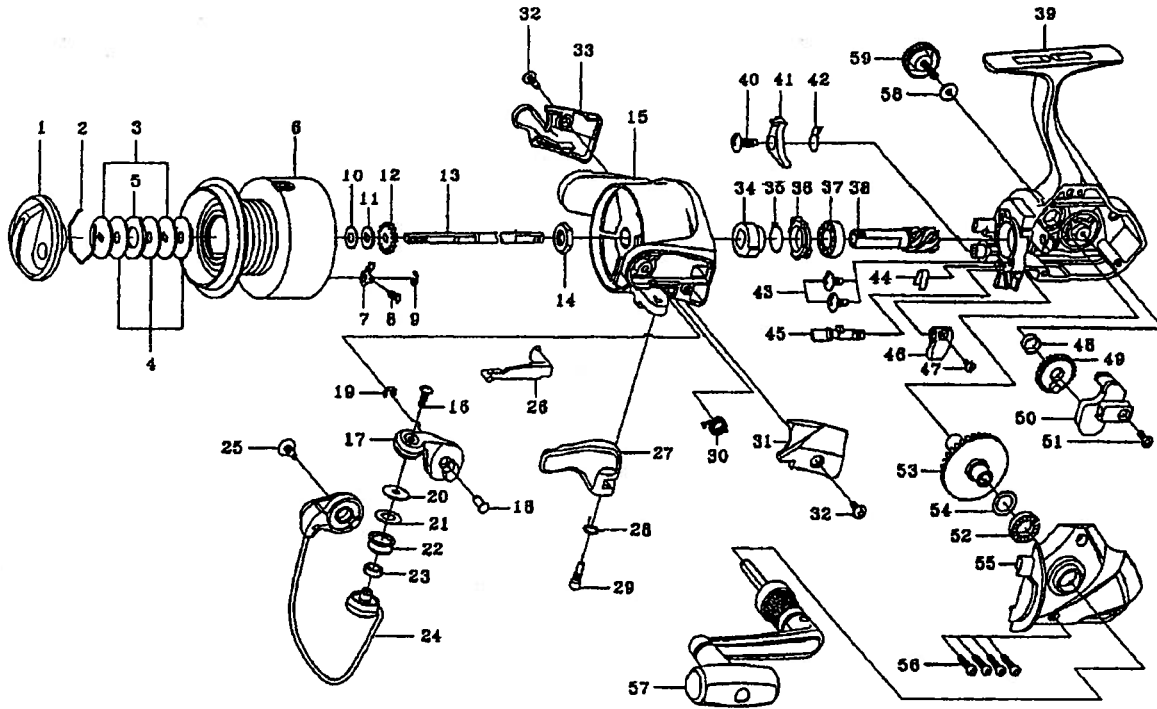


**SPINNING REEL SPINSTAR-Z3505C**



Key No.	Parts No.	Parts Name	Key No.	Parts No.	Parts Name
2-9	G10-7801	SPOOL	30	F12-8901	BAIL SPRING
2-9	G17-1101	SPOOL (EXTRA)	31	F31-4511	BAIL SPRING COVER
1	F32-9508	DRAG KNOB	32	E36-4202	BAIL HOLDER COVER SCREW
2	171-7701	DRAG WASHER RET	33	F31-4611	BAIL HOLDER COVER
3	F09-4901	KEY WASHER	34	F24-8901	A/R RATCHET
4	E13-6003	DRAG WASHER	35	F20-1101	A/R PAWL SPRING B
5	373-3603	EARED WASHER	36	F20-1001	A/R COLLAR
7	B07-5304	CLICK PAWL	37	L03-6502	BALL BEARING B
8	E40-3101	CLICK SPRING	38	E52-0101	PINION GEAR
9	320-5901	CLICK RET	39	G07-0403	BODY
10	F09-4800	SPOOL WASHER A	40	E00-7101	BEARING RET SCREW
11	F09-4701	SPOOL WASHER B	41	F19-9901	A/R PAWL
12	E46-2701	CLICK GEAR	42	F19-9801	A/R PAWL SPRING
13	F99-2301	MAIN SHAFT	43	E08-7801	A/R PAWL SCREW
14	340-6602	ROTOR NUT	44	F19-5201	A/R CAM SPRING
15	F62-0306	ROTOR	45	F98-9301	A/R CAM
16	B67-9304	LINE ROLLER SCREW	46	F98-9201	A/R LEVER
17	F61-9301	BAIL ARM	47	F98-9401	A/R LEVER SCREW
18	E49-3501	BAIL ARM SCREW	48	F13-1601	OSC GEAR COLLAR
19	320-5901	BAIL ARM SCREW RET	49	G18-9301	OSC GEAR
20	F44-6302	ROLLER COLLAR	50	F99-2201	OSC SLIDER
21	F44-6202	LINE ROLLER WASHER	51	352-1505	OSC SLIDER SCREW
22	F45-4902	LINE ROLLER	52	631-6901	BALL BEARING C
23	F05-5601	BALL BEARING A	53	E52-0201	DRIVE GEAR
24	G10-7601	BAIL	54	373-7808	DRIVE GEAR WASHER
25	B84-2102	BAIL HOLDER SCREW	55	F99-2405	SIDE COVER
26	E46-2101	BAIL TRIP LEVER	56	E15-8602	SIDE COVER SCREW
27	F18-0001	TRIGGER LEVER	57	G07-0501	HANDLE
28	E36-9901	TRIGGER SPRING	58	F02-0201	HANDLE WASHER
29	E37-0003	TRIGGER SCREW	59	F03-5605	HANDLE SCREW