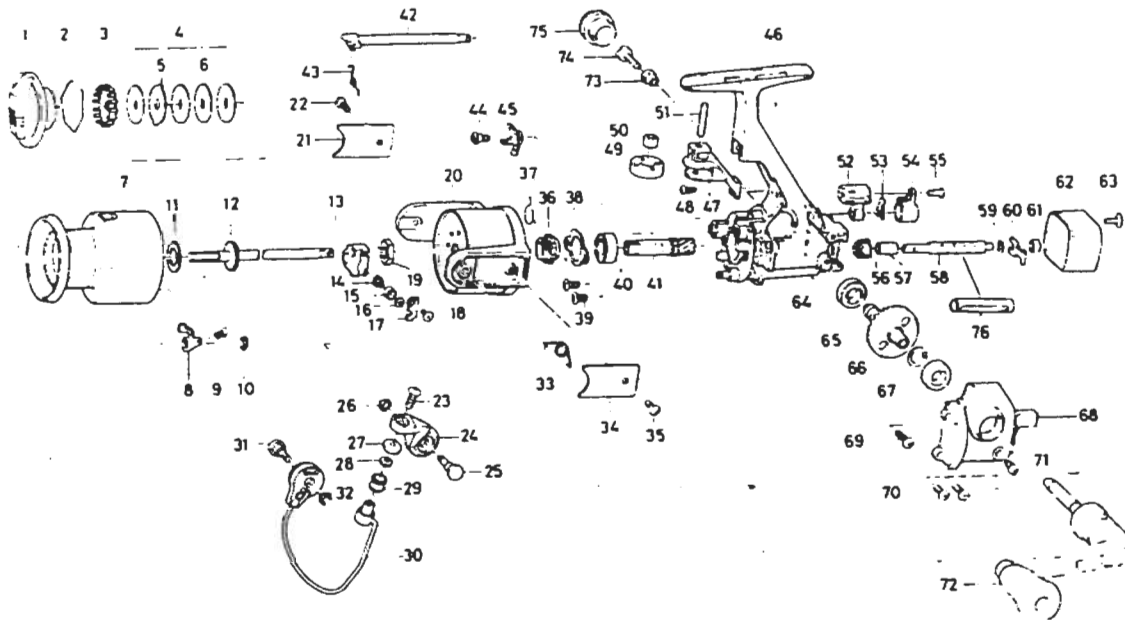


Daiwa
COMMITTED TO TOTAL QUALITY

SPINNING REEL SS700



Key No. 2-7 E20-3101

Spool Assembly

Key No.	Parts No.	Parts Name	Key No.	Parts No.	Parts Name
1	E13-2202	Drag knob	39	883-4402	Bearing retainer screw
2	170-4511	Drag washer retainer	40	637-5701	Bail bearing A
3	E13-6301	Drag knob click plate	41	E12-9501	Pinion gear
4	E13-6001	Drag washer	42	861-7502	Anti-reverse cam
5	E13-6201	Eared washer	43	E14-6702	Anti-reverse cam spring
6	E13-6102	Key washer	44	E09-4401	Anti-reverse pawl screw
7	E13-1904	Spool	45	890-3002	Anti-reverse pawl
8	E13-2101	Click pawl	46	E20-1202	Body
9	861-8801	Click spring	47	E12-9401	Bail kick knock
10	320-5901	Click retainer	48	E02-7401	Bail kick knock screw
11	E13-5901	Spool washer	49	E11-4602	Bail kick roller
12	E13-1001	Main shaft assembly	50	E11-4701	Bail kick roller collar
13	E11-5201	Oscillating slider	51	E11-4801	Bail kick roller pin
14	E12-2402	Oscillating pawl	52	541-5406	Anti-reverse lever
15	E12-4601	Oscillating pawl bush	53	321-0101	Anti-reverse lever retainer
16	375-0800	Oscillating pawl washer	54	130-6801	Anti-reverse lever cover
17	E11-6801	Oscillating slider cover	55	353-4402	Anti-reverse lever screw
18	E15-0202	Oscillating slider cover screw	56	E11-5501	Worm shaft gear
19	341-9203	Rotor nut	57	E12-2101	Worm shaft bush
20	E13-0602	Rotor assembly	58	E13-0101	Worm shaft
21	E13-0301	Bail trip cover	59	375-4100	Worm shaft washer
22	893-3002	Bail trip cover screw	60	E11-5601	Worm shaft retainer
23	867-9303	Line roller screw	61	E12-2201	Worm shaft collar
24	873-1501	Bail arm	62	E13-1402	Rear cover
25	E11-6101	Bail arm screw	63	884-2101	Rear cover screw
26	320-5901	Bail arm screw retainer	64	818-1601	Bail bearing B
27	897-9801	Line roller collar	65	E13-0201	Drive gear
28	955-4301	Line roller washer	66	375-8500	Drive gear washer
29	E04-4201	Line roller	67	637-5701	Bail bearing B
30	E13-0802	Bail	68	E12-1102	Side cover
31	E11-6101	Bail trip cam screw	69	E13-0401	Side cover screw A
32	320-5901	Bail trip cam screw retainer	70	E13-0501	Side cover screw B
33	E13-0701	Bail spring	71	E11-9601	Side cover screw C
34	E13-0301	Bail spring cover	72	E15-3701	Handle assembly
35	893-3002	Bail spring cover screw	73	501-8501	Handle collar
36	861-8001	Anti-reverse ratchet	74	363-8511	Handle screw
37	145-0501	Anti-reverse pawl spring	75	803-4806	Handle screw cap
38	845-6401	Bearing retainer	76	E15-0501	Worm shield cover