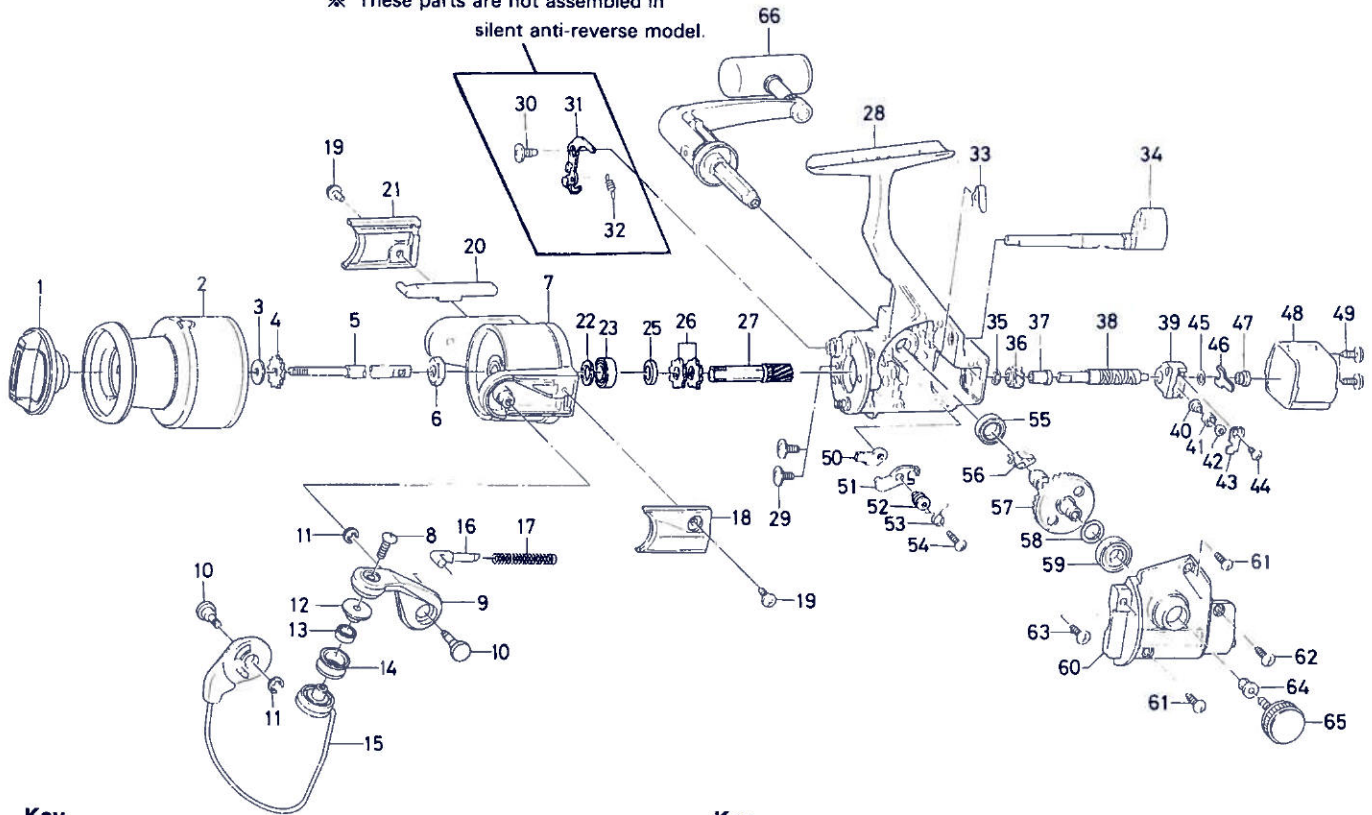


SPINNING REEL — SS600

※ These parts are not assembled in
silent anti-reverse model.



Key

No.	Part No.	Part Name
1	E36-8901	Drag knob
2	E44-7801	Spool
3	E39-4001	Spool washer
4	E36-5301	Click gear
5	E37-2302	Main shaft
6	341-9201	Rotor nut
7	E36-8104	Rotor
8	B67-9305	Line roller screw
9	F07-3801	Bail arm
10	E37-1701	Bail arm screw
11	320-5901	Bail arm screw retainer
12	F06-6301	Line roller collar
13	F05-5601	Ball bearing A
14	F05-8901	Line roller
15	F08-1901	Bail
16	E68-8201	Bail spring shaft
17	E41-7701	Bail spring
18	E36-8304	Bail spring cover
19	E36-4201	Bail spring cover screw
20	E36-8401	Bail trip lever
21	E36-8506	Bail trip cover
22	375-8503	Bearing washer
23	637-5701	Ball bearing B
25	E29-6101	Spacing sleeve
26	E27-1501	Anti-reverse ratchet
27	E42-0002	Pinion gear
28	F08-1601	Body
29	E03-7801	Bearing retainer screw
33	E26-8701	Anti-reverse cam spring
34	E36-3213	Anti-reverse lever
35	B33-9801	Worm shaft gear retainer

Key

No.	Part No.	Part Name
36	E41-5801	Worm shaft gear
37	E29-6501	Worm shaft bush
38	E41-9902	Worm shaft
39	F01-1003	Oscillating slider
40	E12-2403	Oscillating pawl
41	E12-4601	Oscillating pawl bush
42	375-0800	Oscillating pawl washer
43	E11-6801	Oscillating slider cover
44	E15-0203	Oscillating slider cover screw
45	B53-6100	Worm shaft washer
46	E29-6701	Worm shaft retainer
47	E29-6601	Worm shaft collar
48	F01-0302	Rear cover
49	E24-8102	Rear cover screw
50	B95-9301	Anti-reverse pawl plate
51	E27-1301	Anti-reverse pawl
52	B95-9501	Anti-reverse pawl collar
53	B95-9602	Anti-reverse pawl spring
54	B00-8601	Anti-reverse pawl screw
55	E30-6801	Ball bearing C
56	E29-6903	Anti-reverse pawl spring
57	F08-1701	Drive gear
58	375-8500	Drive gear washer
59	637-5701	Ball bearing D
60	F08-1801	Left side cover
61	E15-8601	Left side cover screw A
62	E15-8602	Left side cover screw B
63	E13-0501	Left side cover screw C
64	501-8501	Handle collar
65	F03-5602	Handle lock screw
66	F08-2101	Handle assembly