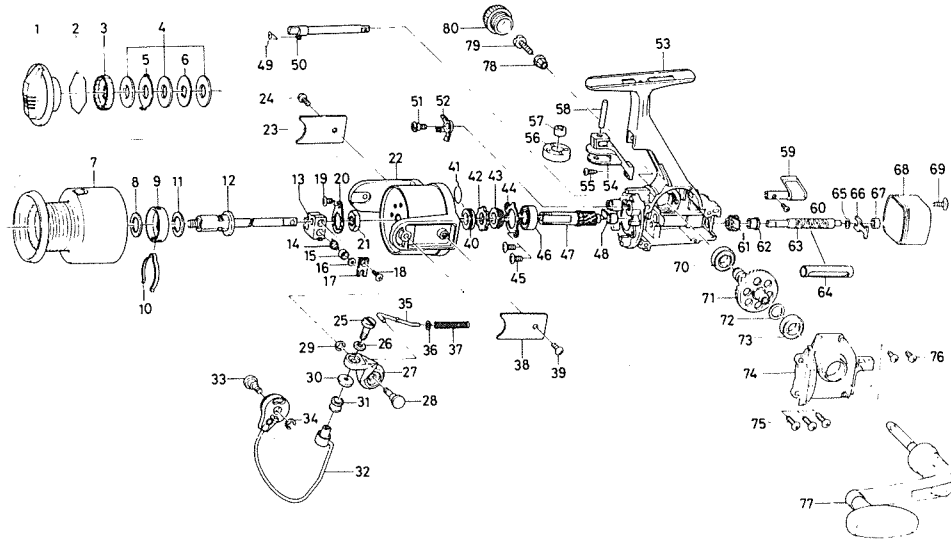


# SPINNING REEL SS2600



Key No. 2 - 7  
E12-6504

## Spool Assembly

Key No.	Parts No.	Parts Name	Key No.	Parts No.	Parts Name
1	E12-6802	Drag knob	41	145-0902	Anti-reverse pawl spring
2	B54-3202	Drag washer retainer	42	280-9001	Anti-reverse ratchet
3	E12-2801	Drag knob click plate	43	B02-0702	Click gear
4	B36-0204	Drag washer	44	B35-6301	Bearing retainer
5	E15-0101	Eared washer	45	B83-4402	Bearing retainer screw
6	B65-2302	Key washer	46	635-4801	Ball bearing A
7	E12-6604	Spool	47	E12-4001	Pinion gear
8	E14-6501	Spool washer	48	B96-5701	Pinion holder
9	E12-2301	Click leaf spring holder	49	144-0321	Anti-reverse cam spring
10	B74-7702	Spool click leaf spring	50	B63-7903	Anti-reverse cam
11	371-2800	Main shaft washer	51	B83-6301	Anti-reverse pawl screw
12	E12-5401	Main shaft assembly	52	B74-5501	Anti-reverse pawl
13	E12-4301	Oscillating slider	53	E12-3603	Body
14	E12-5702	Oscillating pawl	54	E12-3701	Bail kick knock
15	E12-5801	Oscillating pawl bush	55	E02-7401	Bail kick knock screw
16	375-0800	Oscillating pawl washer	56	E11-4602	Bail kick roller
17	E12-5901	Oscillating slider cover	57	E11-4701	Bail kick roller collar
18	351-8902	Oscillating slider cover screw	58	E11-4801	Bail kick roller pin
19	B93-3001	Rotor nut holding plate screw	59	E12-3901	Anti-reverse lever
20	B66-2601	Rotor nut holding plate	60	B12-8201	Anti-reverse lever screw
21	B10-5701	Rotor nut	61	E12-4101	Worm shaft gear
22	E12-1302	Rotor assembly	62	E12-4201	Worm shaft bush
23	B01-4003	Bail trip cover	63	E12-4401	Worm shaft
24	B83-4401	Bail trip cover screw	64	E15-1101	Worm shield cover
25	353-1812	Line roller screw	65	373-1300	Worm shaft washer
26	375-1001	Lock washer	66	E11-5601	Worm shaft retainer
27	E12-4901	Bail arm	67	E12-2201	Worm shaft collar
28	E12-5001	Bail arm screw	68	E12-6002	Rear cover
29	320-5901	Bail arm screw retainer	69	B84-2101	Rear cover screw
30	501-1602	Line roller collar	70	E15-4001	Ball bearing B
31	E02-1801	Line roller	71	E12-4501	Drive gear
32	E12-5102	Bail	72	373-7800	Drive gear washer
33	E12-5301	Bail trip cam screw	73	E15-4001	Ball bearing B
34	320-5901	Bail trip cam screw retainer	74	E12-3202	Side cover
35	E12-4701	Bail spring shaft	75	B83-5002	Side cover screw A
36	E11-5901	Bail spring washer	76	E11-9601	Side cover screw B
37	E12-4801	Bail spring	77	E15-3901	Handle assembly
38	B01-4003	Bail spring cover	78	B85-0801	Handle collar
39	B83-4401	Bail spring cover screw	79	B90-3301	Handle screw
40	501-9901	Spring holder	80	B22-4501	Handle screw cap