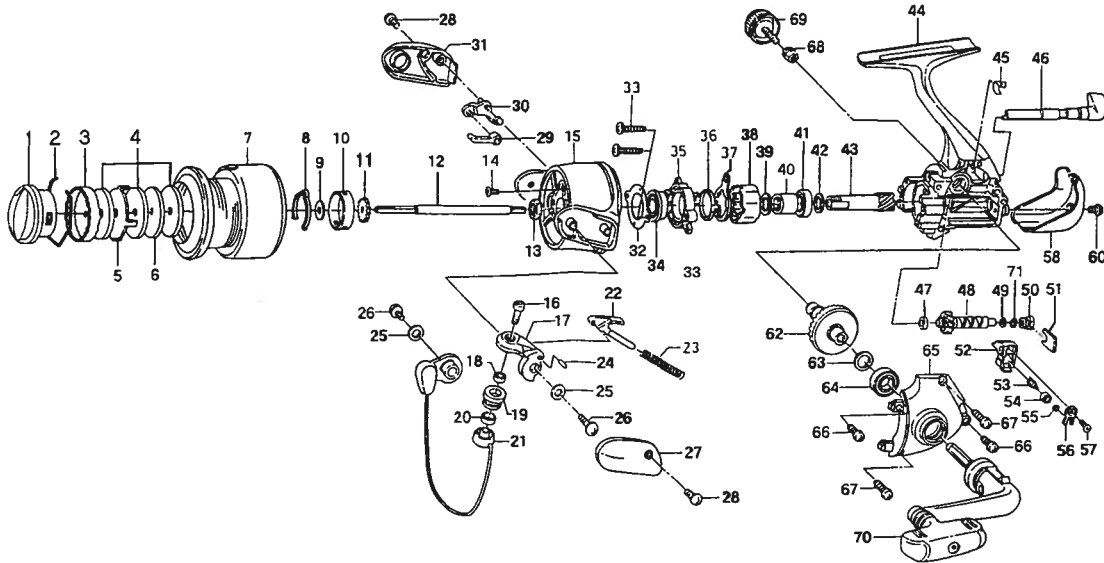


SS2-3000C / 3500C



Key No.	Parts No.	Parts Name
2-7	G04-6101	SPOOL
1	G04-6301	DRAG KNOB
2	F71-0001	DRAG WASHER RET
3	F68-1301	DRAG KNOB CLICK PLT
4	F69-8001	DRAG WASHER A
5	F67-6401	EARED WASHER
6	F68-1101	DRAG WASHER B
8	F70-9001	SPOOL CLICK LEAF SPRING
9	E39-7901	SPOOL WASHER
10	F69-7901	CLICK LEAF SPRING HOLDER
11	E41-3101	CLICK GEAR
12	F68-0001	MAIN SHAFT
13	340-6605	ROTOR NUT
14	B55-7601	ROTOR NUT LOCK SCREW
15	F64-2510	ROTOR
16	F62-5202	LINE ROLLER SCREW
17	F62-3511	BAIL ARM
18	F62-5102	BALL BEARING A
19	F62-5001	LINE ROLLER
20	F70-1801	LINE ROLLER COLLAR
21	G04-5901	BAIL
22	F69-1104	BAIL SPRING SHAFT
23	F62-3801	BAIL SPRING
24	F62-3701	BAIL ARM SCREW
25	F63-1801	BAIL HOLDER COLLAR
26	351-6101	BAIL HOLDER SCREW
27	F66-0705	BAIL SPRING COVER
28	352-2503	BAIL SPRING COVER SCREW
29	F64-6301	BAIL TRIP PLT
30	F62-4701	BAIL TRIP LEVER
31	F66-0804	BAIL TRIP COVER
32	F95-2501	BEARING RET A
33	E24-7402	BEARING RET SCREW
34	F25-2901	BALL BEARING B
35	F95-2401	BEARING RET B
36	F67-9701	ROLLER CLUTCH RET
37	F64-1401	A/R PAWL
38	F64-1201	ROLLER CLUTCH
39	373-7814	ROLLER CLUTCH WASHER
40	F73-2203	SPACING SLEEVE

Key No.	Parts No.	Parts Name
41	F64-1101	BALL BEARING C
42	F26-2801	PINION COLLAR
43	F95-2301	PINION GEAR
44	G04-5801	BODY
45	F67-9201	A/R CAM SPRING
46	F67-9102	A/R LEVER
47	F63-1401	WORM SHAFT BUSH
48	G00-3601	WORM SHAFT
49	375-4101	WORM SHAFT WASHER
50	F67-9501	WORM SHAFT COLLAR
51	F74-9401	WORM SHAFT RET
52	F67-9901	OSC SLIDER
53	F92-0701	OSC PAWL
54	F62-2701	OSC PAWL BUSH
55	375-0801	OSC PAWL WASHER
56	F62-2901	OSC SLIDER COVER
57	352-1505	OSC SLIDER COVER SCREW
58	G04-4203	REAR COVER
60	E36-4203	REAR COVER SCREW
62	F66-1201	DRIVE GEAR
63	373-7808	DRIVE GEAR WASHER
64	E15-4001	BALL BEARING E
65	F68-0109	SIDE COVER
66	E15-7502	SIDE COVER SCREW A
67	E15-8601	SIDE COVER SCREW B
68	F43-3502	HANDLE COLLAR
69	F42-5801	HANDLE LOCK SCREW
70	G10-2401	HANDLE
71	G08-4001	SPRING WASHER

SS2-3500C Special Parts

Key No.	Parts No.	Parts Name
2-7	G04-6401	SPOOL
1	G04-6601	DRAG KNOB
2	F74-2501	DRAG WASHER RET
3	F69-0203	DRAG KNOB CLICK PLT
4	F69-2301	DRAG WASHER A
5	F69-0101	EARED WASHER
6	F76-1001	DRAG WASHER B