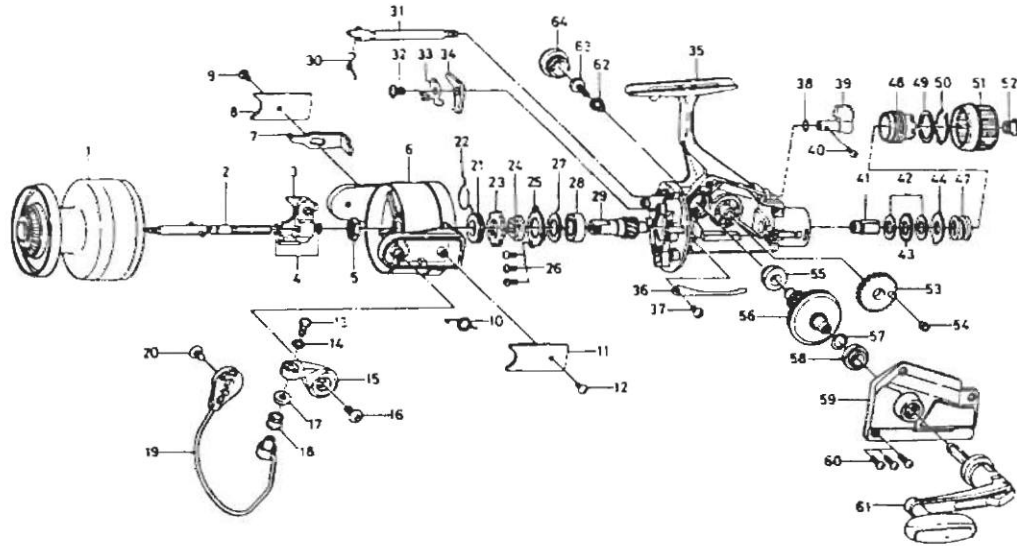


SPINNING REEL SK4050



Key No.	Parts No.	Parts Name	Key No.	Parts No.	Parts Name
1	B88-1001	Spool	33	041-9101	Anti-reverse claw plate
2	B78-2701	Main shaft	34	111-9201	Anti-reverse claw
3	B78-3001	Oscillating slider	35	B88-0201	Body
4	B78-3101	Oscillating slider retainer	36	B78-1001	Click claw
5	340-8301	Rotor nut	37	351-6102	Click claw screw
6	B78-3703	Rotor	38	375-5201	Anti-reverse lever washer
7	B78-4001	Bail kick lever	39	B77-4302	Anti-reverse lever
8	B63-0903	Bail kick lever cover	40	B34-2101	Anti-reverse lever screw
9	351-6102	Bail kick lever cover screw	41	B78-1301	Drag washer holder
10	B19-7201	Bail spring	42	B46-9504	Drag washer A
11	634-6803	Bail spring cover	43	B78-1401	Click gear
12	351-6102	Bail spring cover screw	44	373-3603	Drag washer B
13	B11-2802	Bail screw	47	B91-3801	Drag knob spring
14	B11-2701	Bail washer	48	B78-1502	Drag screw
15	B80-3501	Arm lever	49	B78-1601	Drag washer C
16	352-1103	Arm lever screw	50	B78-1701	Drag washer spring
17	501-2001	Roller collar	51	B78-5601	Drag knob
18	250-4502	Line roller	52	B77-5801	Drag knob screw
19	B78-9101	Bail	53	B79-0501	Oscillating gear
20	352-1103	Bail holder screw	54	B78-9801	Oscillating collar
21	B13-5701	Spring holder	55	501-6102	Bearing
22	B13-5801	Anti-reverse claw spring	56	B78-9501	Drive gear
23	B34-2201	Ratchet	57	371-2800	Drive gear washer
24	B78-6701	Spacer	58	501-6102	Bearing
25	B66-5301	Ball bearing ret. washer A	59	B88-0301	Body cover
26	351-6605	Ball bearing ret. washer B	60	351-5904	Body cover screw
27	B47-9201	Ball bearing ret. washer B	61	B90-3101	Handle
28	B54-6001	Ball bearing	62	501-8401	Handle collar
29	B78-9401	Pinion gear	63	363-8611	Handle screw
30	144-0321	Anti-reverse cam spring	64	363-4703	Handle screw cap
31	461-5021	Anti-reverse cam			
32	352-1103	Anti-reverse claw screw			